

STEAM

PROFESSIONAL FOG MACHINE
WITH RGBA EFFECT

RGBA 700



USER MANUAL / MANUAL DE USUARIO

PLEASE READ THE INSTRUCTIONS CAREFULLY BEFORE USE
POR FAVOR LEA LAS INSTRUCCIONES ANTES DE USAR



1. OVERVIEW

Steam 700RGBA

Professional Fog machine with RGBA effect

Steam 700RGBA is a professional fog machine 2-in-1 that has 16 RGBA 3W LEDs, adding an attractive visual effect to its original function. Thanks to the incorporation of amber LEDs, the fixture achieves a very complete and attractive color mix, standing out naturally in any given situation. With an output of 20,000 cubic feet per minute and a 2L (67 Oz.) tank capacity, Steam 700 RGBA is itself a high performance fog machine, beyond its attractive visual effect. The fixture has 5 DMX modes, (7 DMX channels max) and includes a wireless remote control that allows four different programs to be run at a distance.

Source & Optics

- LEDs: 16 RGBA (4R, 4G, 4B, 4A) 3W LEDs
- LEDs life: 50,000 hours

Output

- Smoke output: 20,000 cubic feet per minute
- Warm up time: 9 minutes
- Tank: 2 lts./ 67 Oz.
- Liquid consumption: 135 ml/min / 4.5 oz/min

Control

- Operational modes: DMX, IR remote control, LED patterns & manual
- DMX channels: 1/2/3/5/7

Electrical

- Input voltage range: 100–240V, 50-60Hz
- Max power consumption: 750W

Physical

- DMX connectors: 2 XLR connectors (XLR-3 In &Out)
- 4-digit LED display
- Dimensions: 409x297x195 mm. / 16x11.7x7.7 in.
- Weight: 7.6 Kg. / 16.7 Lbs.

Thank you for selecting our Steam 700RGBA fog machine, you already own the high-tech, professional Steam Fogs! Better read the manual thoroughly before operation, follow instruction will help you have a smooth handling with Steam 700RGBA fog machine to achieve the most satisfactory fog effect, it will also assist unit to further prolong life time as a whole.

2. WARNING!



Like all electronic products, Steam 700RGBA must be used with safety precautions in mind. Fill enough fog fluid before plugging in, empty fluid tank when not in use or moving.



- Products for indoor use only. Keep away from liquids. Never operate in rain or in damp conditions.
- Use only appropriate, grounded electric power supply for your unit. See your product specification label for appropriate power supply. This appliance must be earthed.
- Disconnect from electric mains power supply when not in use, when filling the fog fluid tank, or when changing a fuse. Keep unit dry. If moisture or liquids enter the fog machine case, immediately disconnect power supply. Contact a service technician to determine safety for use.
- Keep machine in flat position, never put it in tilted place.
- Before moving fog machine, always drain fog fluid into the tank and tighten the tank cap securely to avoid spilling.
- Without user-serviceable parts in the package, please contact your local agent or qualified technician for servicing.
- Without changeable structure by non-qualified user, please do not open the up cover or have any change at will, otherwise, it may cause accident!
- Fog machine is for adult use. Keep out of reach of children. Never leave the unit running unattended.
- Thank you for selecting our CF-8.0 DMX fog machine, you already own the high-tech, professional DMX Fogs! Better read the manual thoroughly before operation, follow instruction will help you have a smooth handling with CF-8.0 DMX fog machine to achieve the most satisfactory fog effect, it will also assist unit to further prolong life time as a whole.
- Fog machine nozzle gets hot over 200 degrees (centigrade) during use. Don't touch! Maintain a safe distance over 100CM. Never aim the nozzle directly at people.
- Keep case closed while operating. Put fog machine in drafty place. Do not insert objects into air vents. Allow 20cm space or above around the machine for proper ventilation.
- Keep fog machine away from flames and flammable items. Never aim the nozzle at open flames or sparks. Use only high quality water-based fog fluid. Never put flammable substances into the tank.
- Machine must cool down before cleaning, servicing or storing.
- Never put any flammable material (lipid, gas, perfume etc.) into the tank, read the user manual thoroughly before operation.
- Better use our high quality water-based fog fluid, random use with other fog fluid may jam the pipe, or even erode the components inside.
- Keep sufficient fog fluid in tank. Operating the unit without sufficient fog fluid, the pump will stop working.
- If any abnormal running occurs, stop it immediately, empty the fluid, and bring the done up unit (recommend original box) to your agent or dealer for servicing. Make sure all fluid is empty from the tank before moving or shipping.
- Never drink fog fluid. If ingested, call a doctor immediately. If fluid contacts eyes or skin, rinse skin thoroughly with water.

- Read user manual instructions thoroughly before operating. Follow the instruction. Never remove warning or informative labels from the unit.

Caution!

There are no user serviceable parts inside this unit. Do not attempt any repairs yourself, doing so will void your manufactures warranty. In the unlikely event your unit may require service please contact your local dealer. !

Particular Warning

Please install the product correctly according to the instruction of the user manual. To avoid any accident, it is not allowed to install the product with any way not instructed on the user manual. If accident happens because users do not install the product according to the instruction of the

user manual, the manufacturer will not take any responsibility. Please note: Specifications and improvements in the design of this unit and this manual are subject to change without any prior written notice.

Important

The wires in this mains lead are colored in accordance with the following code.

EU

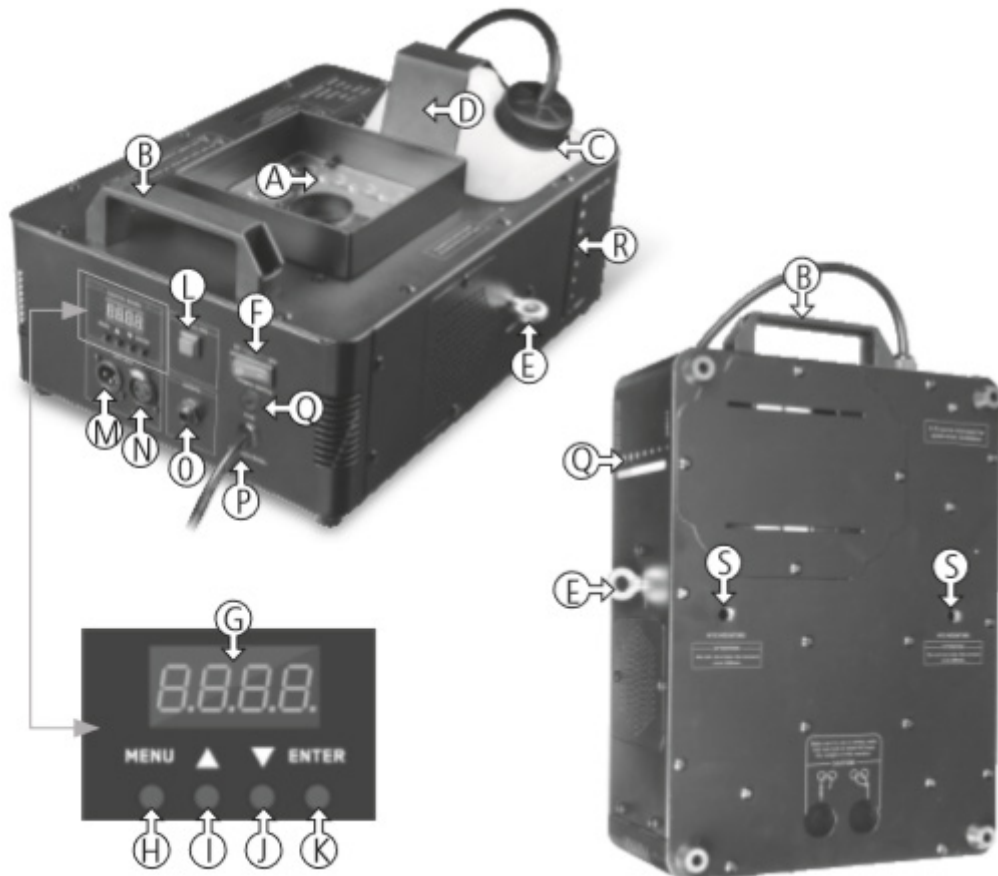
Green and Yellow – Earthed (E) Blue – Neutral (N) Brown – Live (L) Warning: This appliance must be earthed.

USA

Green and Yellow – Earthed (E) White – Neutral (N) Black – Live (L) Warning: This appliance must be earthed.



3. FUNCTIONS



- A. 16 LEDs**
- B. Handle**
- C. Fog Fluid Tank**
- D. Tank Fixed Cover**
- E. Safety Loop**
- F. Power Switch**
- G. LED display**
- H. Menu**
- I. Up**
- J. Down**

- K. Enter**
- L. Manual Fog**
- M. DMX 3 pin XLR Input**
- N. DMX 3 pin XLR Output**
- O. Control Socket Connection**
- P. Electric Power Cord**
- Q. Fuse**
- R. Visible Fog Fluid Level Indicator**
- S. M10*P1.5 C Clamp Installation**

4. DESCRIPTION

- Built-in function of led lighting control allows easy control led patterns through by LED display. Like flames, burst etc.
- When hanging Steam 700RGBA upside down, just loosen the few screws of the tank fixed cover to change the position of the tank.
- Visible fog fluid level indicator on rear.
- DMX on board, 5 DMX modes for choice; 1CH, 2CH, 3CH, 5CH & 7CH, operate by any additional DMX controller.
- Manual fogging can be operated directly from the back panel of the machine.
- Operate by wireless controller (RC-4CA). Simple and humanized design makes Steam 700RGBA easier for use.
- Aluminum die-cast design functioned with high-effective heating module prevents clogging. Unique design that can be earthed directly without affecting normal working of the thermo system and DMX control circuit. There won't be danger of accidental human body's electric shock.
- High output fog machine, approx. 20,000 cu.ft/min output.
- Electronic Thermo Sensing (ETS) – electronic heater stay hot at all times between fog blasts.
- Direct thermal protection.

5. GETTING READY

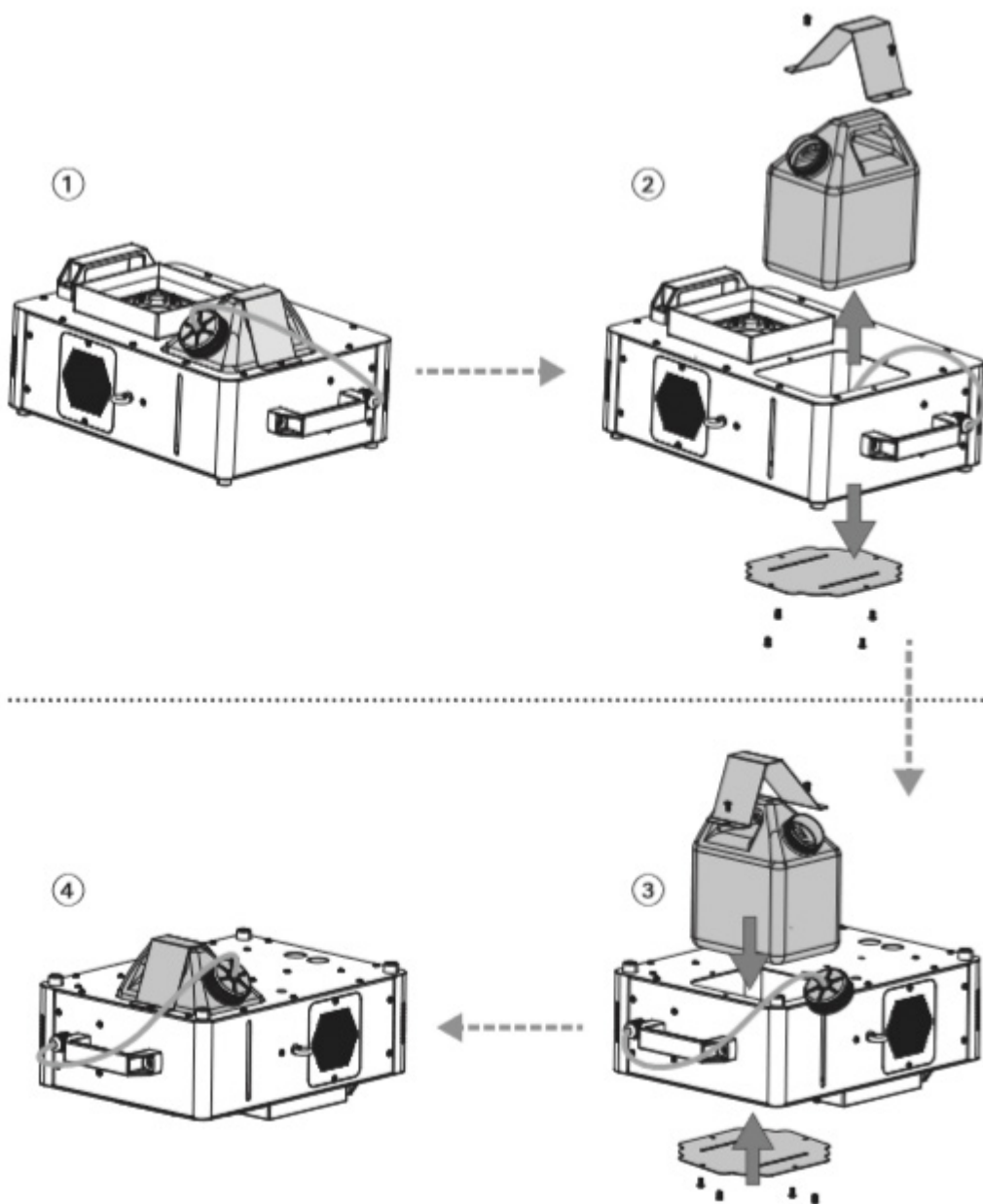
All products are thoroughly tested at the factory and shipped in perfect condition. If damage has occurred during shipping, or if components are missing, please contact your local dealer immediately.

Your package should include:

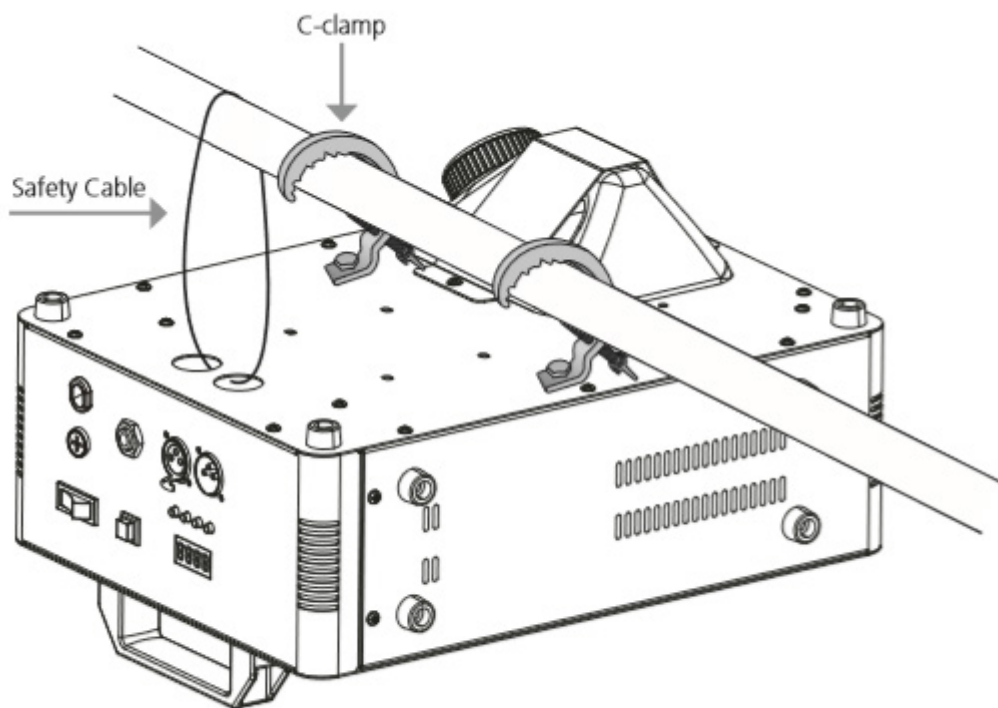
- One **Steam 700RGBA**
- One Wireless controller
- One product user manual

6. MOUNTING

Loosen the few screws of the tank fixed cover, replace the tank down to the bottom, then put the tank fix cover to the tank again, and tighten the screws.



Fasten the Steam 700RGBA onto firm trussing (Use a 15-kg rated or stronger C-clamp bolted onto bottom of Steam 700RGBA, enhancing safety necessarily with safety cables). Leave at least one meter at all sides for air circulation.



7. SET UP

1. Open the shipping carton and carefully remove the unit from the shipping carton.
2. Be sure to remove packing material from around the fog machine, especially near the nozzle.
3. Set the fog machine on a dry, flat surface.
4. Place the feeder tube with filter deep inside the full fog fluid tank (C of figure1). Use only high quality, water-based fog fluid.
5. Firmly attach the remote control mechanism to socket (O of figure1) on the back of the unit. Or use DMX control setting (H of figure1) on the back of the unit.
6. Plug mains power cord from the fog machine into appropriate power supply socket. Wait about 9 minutes for heating element to heat up.

7. Refer to your controller manual for operation details. (Appendix A)
8. If fog is emitted continuously for a long time, the heating element temperature may drop, shutting off fog production. If so, please do not activate for emission. Wait briefly. When the heating element temperature rises, fog emissions can be resumed.

8. FUNCTIONS OF THE BUTTONS



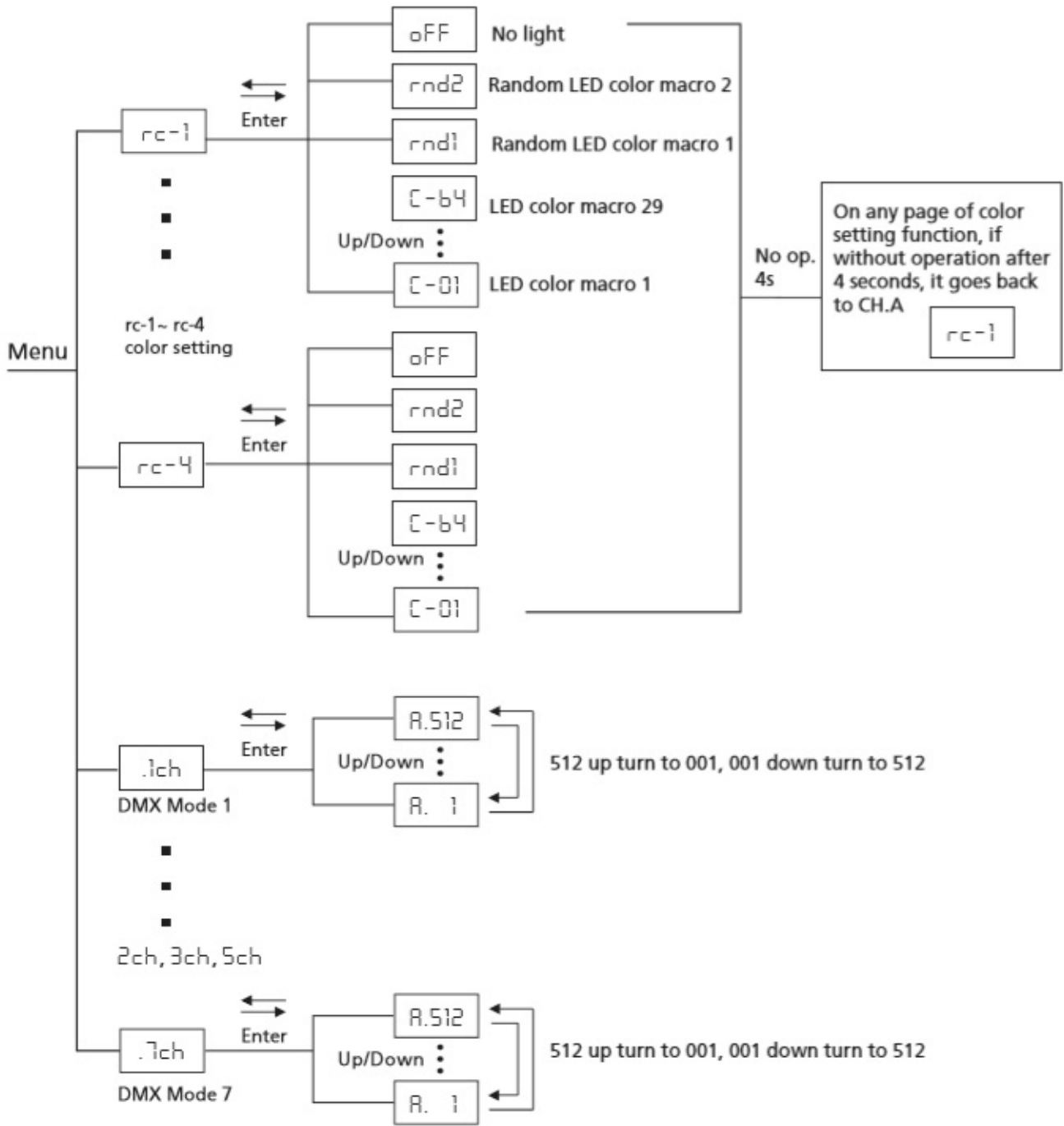
MENU: Button for DMX mode selection, color macro setting for each channel of remote controller, and DMX address setting.

ENTER: Button for the first layer and the second layer of menu.

UP: Button for increasing numerical value

DOWN: Button for decreasing numerical value
Press "UP" or "Down" 1.5 seconds can change value continuously and fast.

System Menu



When shot down, the present function status will be saved automatically and continue when powered on next time

9. OPERATION

Stand-alone

Please put the Steam 700RGBA on a dry and flat surface.

1. Plug mains power cord from the fog machine into appropriate power supply socket.
2. Primary power on, LED display (G of figure 1) shows “8888”, and 16 LEDs (A of figure 1) around the nozzle all light up. Please check if the LED letters shown on the display lack of strips, and then show the current software version.
3. 2 seconds after it switches to working status: Heating up, it shows “HEAt”. Setting function value is allowed when heating up. With no operation after 4 seconds, it goes back to “HEAt” status.
4. Wait about 9 minutes for heating element to heat up.
5. Push the Manual Fog button (L of figure1) to smoke.

Manual fogging is available under any control mode and always executing the Color Macro of CHA.

Remote Control Operation

For best result, use RC-4CA wireless controller.

1. Firmly attach the remote control to socket (O of figure1) on the back of the unit.
2. Plug mains power cord from the fog machine into appropriate power supply socket.
3. LED display (G of figure 1) shows “8888”, and 16 LEDs (A of figure 1) around the nozzle all light up. Please check if the LED letters shown on the display lack of strips, and then show the current software version.
4. 2 seconds after it switches to working status: Heating up, it shows “HEAt”. Setting function value is allowed when heating up. With no operation after 4 seconds, it goes back to “HEAt”

status.

5. Wait about 9 minutes for heating element to heat up.
6. “CH.A, CH.b, CH.c, CH.d” respectively key A, B, C, D of remote controller. Each channel can be individually set its Color Macro by menu button of the machine (see “SYSTEM MENU” instruction).
7. Except “dx” and “A.xxx”, under any other status, wireless control is available while DMX control is not available.
8. Refer to your controller manual for controller operation details. (Appendix A)

Manual fogging could be work with remote control operation at the same time.

When shot down, the present function status will be saved automatically and continue when powered on next time.

DMX Control Operation

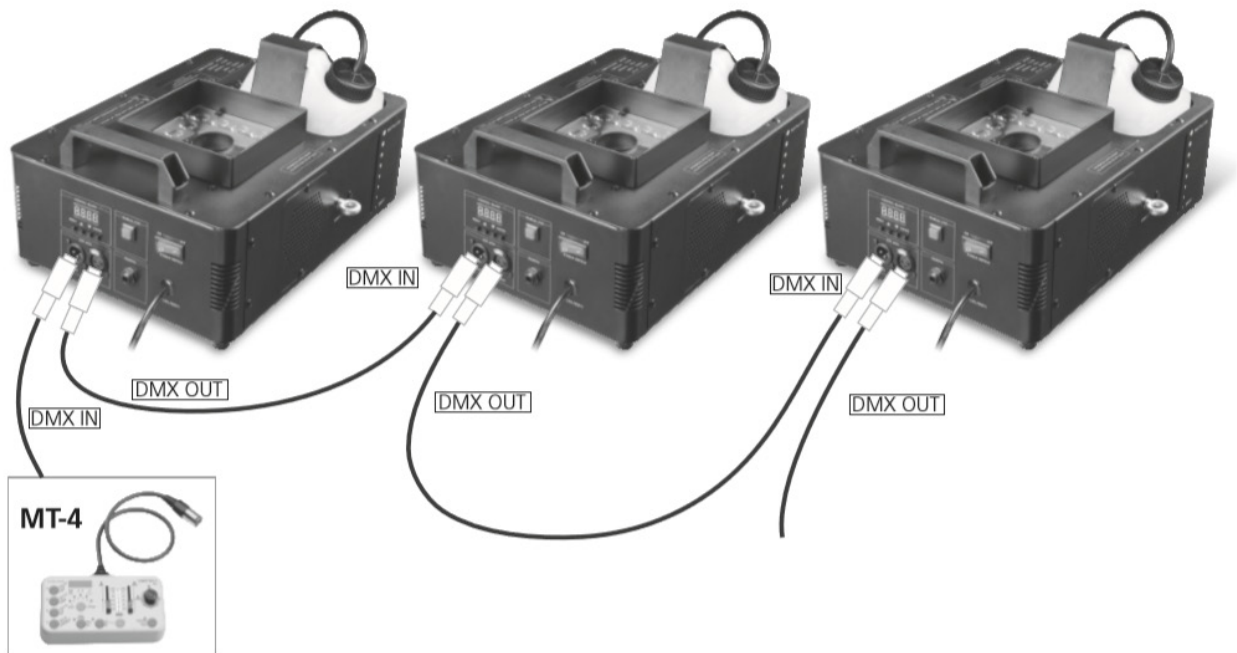
Use LED Display to set the unit to the desired DMX512 address. Refer to DMX channel chart in Figure 2.

1. Connect the DMX 512 controller cable to the input socket (M of figure 1) of the fog machine unit. Make sure the signal cable polarity is correct.
2. Plug mains power cord from the fog machine into appropriate power supply socket.
3. LED display (G of figure 1) shows “8888”, and 16 LEDs (A of figure 1) around the nozzle all light up. Please check if the LED letters shown on the display lack of strips, and then show the current software version.
4. 2 seconds after it switches to working status: Heating up, it shows “HEAt”. Setting function value is allowed when heating up. With no operation after 4 seconds, it goes back to “HEAt”

- status.
5. Wait about 9 minutes for heating element to heat up.
 6. There are 5 DMX modes for choice; 1CH, 2CH, 3CH, 5CH, & 7CH, please choose the mode by menu: It shows "d1" to "d7".
 7. When completed heating, it shows control mode: It shows "dx" or "A.xxx", please set the unit to the desired DMX512 mode and address, and DMX control available, wireless control not available. Your Steam 700RGBA is now ready for operation with your DMX controller.
 8. If desired, connect another fog machine: Plug

one end of another signal cable in to the output socket (N of figure 1) on the back of the first CF-8.0; plug the other end of the signal cable to the input socket on the back of the second Steam 700RGBA. Follow the same procedure to link more fog machine, if desired; whole link is daisy chain.

*Manual fogging could be work with DMX control operation at the same time.
When shot down, the present function status will be saved automatically and continue when Powered on next time.*



10. DMX CHART

1CH Mode

CH1
FOG & RANDOM COLOR CHANGE
32-255 = MAX FOG, Random Color Chang
0-31 = OFF

2CH Mode

CH1	CH2
FOG	COLOR MACROS
32-255 = MAX FOG	Color Macro 1~64
0-31= OFF	(please see figure 3 - color macro list)

3CH Mode

CH1	CH2	CH3
FOG	COLOR MACROS	STROBE
32-255 = MAX FOG	Color Macro 1~64 (please see figure 3 - color macro list)	160-255 Random Strobe (Slow>Fast)
0-31= OFF		96-159 Pulse-Effect in sequence
		32-95 Strobe Effect (Slow > Fast)
		0-31 Strobe Off

5CH Mode

CH1	CH2	CH3	CH4	CH5
FOG	RED	GREEN	BLUE	AMBER
32-255 MAX FOG	1-255 MIN to MAX	1-255 MIN to MAX	1-255 MIN to MAX	1-255 MIN to MAX
0-31= OFF	0= OFF	0= OFF	0= OFF	0= OFF

7CH Mode

CH1	CH2	CH3	CH4	CH5	CH6	CH7
FOG	RED	GREEN	BLUE	AMBER	STROBE	MASTER DIMMER
32-255 MAX FOG	1-255 MIN to MAX	1-255 MIN to MAX	1-255 MIN to MAX	1-255 MIN to MAX	160-255 Random Strobe (Slow>Fast)	1-255 MIN to MAX
0-31 OFF	0 OFF	0 OFF	0 OFF	0 OFF	96-159 Pulse-Effect in sequence	0 OFF
					32-95 Strobe Effect (Slow > Fast)	
					0-31 Strobe Off	

Figure 3 Color Macro List

Value	Color	Value	Color
0	OFF		
1-4	Red = 80 Green =255 Blue = 234 W/A = 80	129-132	Red = 255 Green = 206 Blue = 143 W/A = 0

5-8	Red = 80 Green = 255 Blue = 164 W/A = 80	133-136	Red = 254 Green = 177 Blue = 153 W/A = 0
9-12	Red = 77 Green = 255 Blue = 112 W/A = 77	137-140	Red = 254 Green = 192 Blue = 138 W/A = 0
13-16	Red = 117 Green = 255 Blue = 83 W/A = 83	141-144	Red = 254 Green = 165 Blue = 98 W/A = 0
17-20	Red = 160 Green = 255 Blue = 77 W/A = 77	145-148	Red = 254 Green = 121 Blue = 0 W/A = 0
21-24	Red = 223 Green = 255 Blue = 83 W/A = 83	149-152	Red = 176 Green = 17 Blue = 0 W/A = 0
25-28	Red = 255 Green = 243 Blue = 77 W/A = 77	153-156	Red = 96 Green = 0 Blue = 11 W/A = 0
29-32	Red = 255 Green = 200 Blue = 74 W/A = 74	157-160	Red = 234 Green = 139 Blue = 171 W/A = 0
33-36	Red = 255 Green = 166 Blue = 77 W/A = 77	161-164	Red = 224 Green = 5 Blue = 97 W/A = 0
37-40	Red = 255 Green = 125 Blue = 74 W/A = 74	165-168	Red = 175 Green = 77 Blue = 173 W/A = 0
41-44	Red = 255 Green = 97 Blue = 77 W/A = 74	169-172	Red = 119 Green = 130 Blue = 199 W/A = 0
45-48	Red = 255 Green = 71 Blue = 77 W/A = 71	173-176	Red = 147 Green = 164 Blue = 212 W/A = 0

49-52	Red = 255 Green = 83 Blue = 134 W/A = 83	177-180	Red = 88 Green = 2 Blue = 163 W/A = 0
53-56	Red = 255 Green = 93 Blue = 182 W/A = 93	181-184	Red = 0 Green = 38 Blue = 86 W/A = 0
57-60	Red = 255 Green = 96 Blue = 236 W/A = 96	185-188	Red = 0 Green = 142 Blue = 208 W/A = 0
61-64	Red = 238 Green = 93 Blue = 255 W/A = 93	189-192	Red = 52 Green = 148 Blue = 209 W/A = 0
65-68	Red = 196 Green = 87 Blue = 255 W/A = 87	193-196	Red = 1 Green = 134 Blue = 201 W/A = 0
69-72	Red = 150 Green = 90 Blue = 255 W/A = 90	197-200	Red = 0 Green = 145 Blue = 212 W/A = 0
73-76	Red = 100 Green = 77 Blue = 255 W/A = 77	201-204	Red = 0 Green = 121 Blue = 192 W/A = 0
77-80	Red = 77 Green = 100 Blue = 255 W/A = 77	205-208	Red = 0 Green = 129 Blue = 184 W/A = 0
81-84	Red = 67 Green = 148 Blue = 255 W/A = 67	209-212	Red = 0 Green = 83 Blue = 115 W/A = 0
85-88	Red = 77 Green = 195 Blue = 255 W/A = 77	213-216	Red = 8 Green = 107 Blue = 222 W/A = 0
89-92	Red = 77 Green = 234 Blue = 255 W/A = 77	217-220	Red = 107 Green = 156 Blue = 231 W/A = 0

93-96	Red = 158 Green = 255 Blue = 144 W/A = 144	221-224	Red = 165 Green = 198 Blue = 247 W/A = 0
97-100	Red = 255 Green = 251 Blue = 153 W/A = 15	225-228	Red = 209 Green = 219 Blue = 182 W/A = 0
101-104	Red = 255 Green = 175 Blue = 147 W/A = 147	229-232	Red = 42 Green = 165 Blue = 85 W/A = 0
105-108	Red = 255 Green = 138 Blue = 186 W/A = 138	233-236	Red = 0 Green = 46 Blue = 35 W/A = 0
109-112	Red = 255 Green = 147 Blue = 251 W/A = 147	237-240	Red = 255 Green = 0 Blue = 0 W/A = 0
113-116	Red = 151 Green = 138 Blue = 255 W/A = 138	241-244	Red = 0 Green = 255 Blue = 0 W/A = 0
117-120	Red = 151 Green = 138 Blue = 255 W/A = 138	245-248	Red = 0 Green = 0 Blue = 255 W/A = 0
121-124	Red = 138 Green = 169 Blue = 255 W/A = 138	249-252	Red = 0 Green = 0 Blue = 0 W/A = 255
125-128	Red = 17 Green = 0 Blue = 145 W/A = 42	253-255	Red = 255 Green = 255 Blue = 255 W/A = 255

11. TROUBLESHOOTING

This troubleshooting guide is meant to help solve simple problems. If a problem occurs, carry out the steps below in sequence until a solution is found. Once the unit operates properly, do not carry out following steps. If the problem persists, refer servicing to a qualified technician.

Power Connected but No Fog Is Emitted

1. Check the power supply. Plug the unit into grounded electric power supply socket with proper voltage.
2. Check your controller if in correct connection,

test the battery if power enough for wireless controller.

3. Check your DMX address setting.
4. Disconnect fog machine from electric power supply. Replace fuse with one of the same type.

Other Abnormal Situations that Could Make Heater & Pump Stop Working

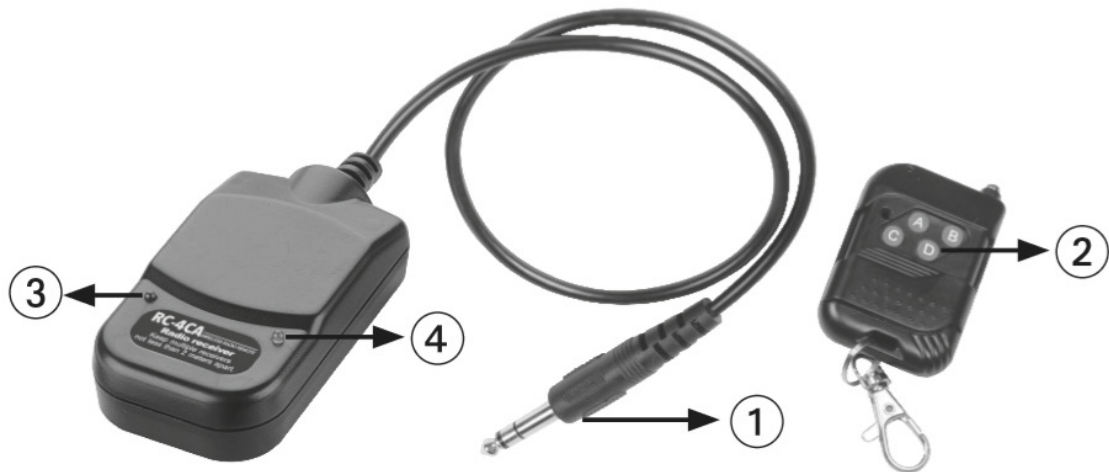
- Flashing and showing "Erro" means heater is too hot or thermos sensor is cut.

12. MAINTENANCE

Before doing maintenance, please make sure that the power is cut, the power cord is unplugged, and the machine itself has cooled down. The maintenance must be done by qualified person.

- The fog liquid is not allowed to get dirty. Be sure to always clean or replace the caps on the fog liquid vessel and tight the cover of the fog machine liquid tank immediately after filling.
- Periodically check the connections among the oil tube, the pump and the heater to see if there's oil leaking. If positive, lock tight the connections carefully with proper tool.
- PC board should be kept from being dirtied with oil. In case this happened, dismantle carefully the PCB, and have it brushed clean both sides with dilute alcohol. Leave it dry itself, then install it back. Make sure all wires are well connected.
- Clean the metal cover with dry cloth.

13. APPENDIX - A RC-4CA



1. 1/4" stereo jack
2. Button
3. Green LED (fog)
4. Red LED (power)

Wireless Remote Control

Operation:

The Steam 700RGBA is designed with wireless remote controller. Workable remote distance possibly extends to 30 meters.

A. Four-channel wireless remote control transmitter:

Key A, B, C, D respectively "CH.A, CH.b, CH.c, CH.d". Each channel can be individually set its Color Marco by menu button of the machine (see "SYSTEM MENU" instruction). Send smoke signals when the button is pressed, release the button to stop smoke.

B. Receiver:

- Red LED: Power indication. Once the fog ma-

chine is plugged, the red LED on this receiver of remote controller will light up. Unplug the power, the red LED off.

- Green LED: Status indication.
 1. Warm-up, the green LED goes out.
 2. Warm-up is completed, the green LED light up.
- *In the warm-up is completed, the green LED light up period, if the receiver receives a valid signal emitted by the transmitter, the green LED off. If the transmitter stop signal, then restore the green LED lights while stopped puffing smoke.*
- *The fog machine is off emission for about 9 minutes during warm-up and re-heating cycles (about 80 seconds), and turns on when the temperature reached again.*

1. DESCRIPCIÓN

Steam 700RGBA

Maquina de humo profesional con efecto RGBA

Steam 700RGBA es una maquina de humo profesional 2-en-1 que cuenta con 16 LEDs RGBA de 3W, agregandole un atrayente efecto visual a su función original. Gracias a la incorporación de LEDs ámbar, el equipo logra una mezcla de color muy completa y atractiva, destacandose naturalmente en cualquier situación. Con una salida de 20.000 pies cúbicos por minuto y un tanque con una capacidad de 2 litros, Steam 700 RGBA es en sí misma una maquina de humo de gran caudal y desempeño, más allá de su atrayente efecto visual. El equipo trabaja en hasta 7 canales DMX e incluye, por último, un control remoto inalámbrico que permite ejecutar a la distancia cuatro programas diferentes.

Fuente & Ópticas

- Fuente de luz: 16 LEDs RGBA (4R, 4G, 4B & 4A) de 3W
- Vida útil promedio: 50.000 horas

Salida

- Salida: 20.000 pies cúbicos por minuto
- Tiempo de calentamiento: 9 minutos
- Tanque: 2 lts. / 67 Oz.
- Consumo de líquido: 135 ml/min / 4,5 oz/min

Control

- Modos de operación: DMX, control remoto (incluido), patrones LED & manual
- Canales DMX: 1/2/3/5/7

Eléctrico

- Rango de voltaje de entrada: AC 100–240V, 50-

60Hz

- Consumo de potencia: 750W

Físico

- Conectores DMX: 2 conectores XLR (XLR-3 de entrada & salida)
- Display LED de 4-dígitos
- Dimensiones: 409x297x195 mm. / 16x11,7x7,7 pulg.
- Peso: 7,6 Kg. / 16,7 Lbs

Gracias por haber elegido un producto de Ampro. Steam 700RGBA es una máquina de humo DMX profesional de última tecnología. Lea atentamente el manual antes de utilizar el equipo y procure seguir las instrucciones para obtener resultados óptimos. Consérvelo para futuras referencias ya que le brindará las herramientas necesarias para prolongar la vida útil del equipo.

2. ADVERTENCIA



Como con cualquier dispositivo electrónico, tome todas las precauciones necesarias para utilizar Steam 700 RGBA. Antes de conectar el equipo, procure llenar el tanque con la cantidad de líquido necesario. Vacíe el tanque durante los periodos de inactividad.



- El producto fue diseñado para uso en interiores. Mantenga la unidad lejos de sustancias líquidas. Nunca opera la unidad bajo la lluvia o en ambientes con alto porcentaje de humedad.
- Utilice únicamente conexiones con toma a tierra para suministrar corriente a la unidad. Para obtener más información sobre la fuente de alimentación, refiérase a las especificaciones técnicas de la unidad. Este producto debe conectarse a una toma a tierra.
- Desconecte la unidad del suministro eléctrico cuando esté en desuso, cambie el fusible o cargue el tanque. Mantenga la unidad seca y limpia. En caso de que haya ingresado líquido en el producto, desconéctelo de inmediato y póngase en contacto con el servicio técnico autorizado de inmediato.
- Utilice el producto sobre una superficie plana sin inclinaciones.
- Procure vaciar el tanque y asegurar el tapón del tanque antes de transportar la unidad.
- El equipo no contiene piezas que puedan ser reparadas por el usuario. En caso de precisar asistencia, póngase en contacto con el servicio técnico autorizado.
- Por su seguridad, está prohibida la introducción de modificaciones no autorizadas en el equipo.
- Mantenga el producto fuera del alcance de niños y usuarios inexpertos. No deje la unidad en funcionamiento y sin supervisión.
- La boquilla de la unidad alcanza una temperatura de 200°C durante su funcionamiento. ¡No la toque! Instale el equipo a una distancia mínima de 100 cm de otros objetos o personas. No apunte la salida de humo directamente hacia las personas.
- Mantenga la cubierta cerrada durante el funcionamiento de la unidad. Instale la unidad en un ambiente bien ventilado y con circulación de aire. Evite introducir objetos en las ranuras de ventilación. Mantenga una distancia mínima de 20 cm entre la unidad y la pared o el techo para garantizar una correcta ventilación.
- Mantenga la unidad alejada de objetos inflamables y llamas expuestas. No apunte la salida de humo hacia llamas o chispas. Utilice únicamente líquido para humo de primera calidad y a base de agua. Nunca introduzca líquidos combustibles en el tanque de la unidad.
- Permita que la unidad se enfríe antes de realizar cualquier tarea de mantenimiento.
- Utilice únicamente el líquido de humo a base de agua recomendado por Ampro. Cualquier otro tipo de líquido puede generar obstrucción y oxidación de los componentes.
- Verifique que la unidad cuente con suficiente líquido de humo en el tanque. Poner la unidad en marcha sin líquido puede dañar el motor y el calentador.
- Desconecte el equipo de inmediato si observa un funcionamiento anómalo. Escurra todo el líquido del tanque, coloque la unidad en su embalaje original y llévelo a su distribuidor para que lo revise. Procure vaciar el tanque antes de transportar la unidad.

- No beba el líquido de humo. En caso de ingerirlo, llame al médico de inmediato. Evite el contacto con los ojos y la piel. En caso de que ocurra, lave con abundante agua.
- Lea atentamente el manual antes de utilizar el equipo. Procure seguir todas las instrucciones y advertencias. No retire las etiquetas informativas o de advertencias de la unidad.

Precaución

El equipo no contiene piezas que puedan ser reparadas por el usuario. Cualquier intento de reparación invalidará la garantía del fabricante. En caso de precisar asistencia, póngase en contacto con el servicio técnico autorizado.

Advertencia de instalación

Procure seguir las instrucciones del manual para instalar el equipo correctamente. Evite accidentes. No proceda con la instalación si no está familiarizado. La garantía no cubre daños causados por el incumplimiento de las instrucciones del presente

manual.

Observaciones

Las especificaciones y el diseño de la unidad y el manual están sujetos a posibles modificaciones sin previo aviso.

Código de colores de los cables de alimentación UE

Amarillo/verde: Tierra (TT)

Azul: Neutro (N).

Marrón: Fase (L).

Advertencia: Este producto debe conectarse a una toma a tierra.

EE.UU

Amarillo/verde: Tierra (TT)

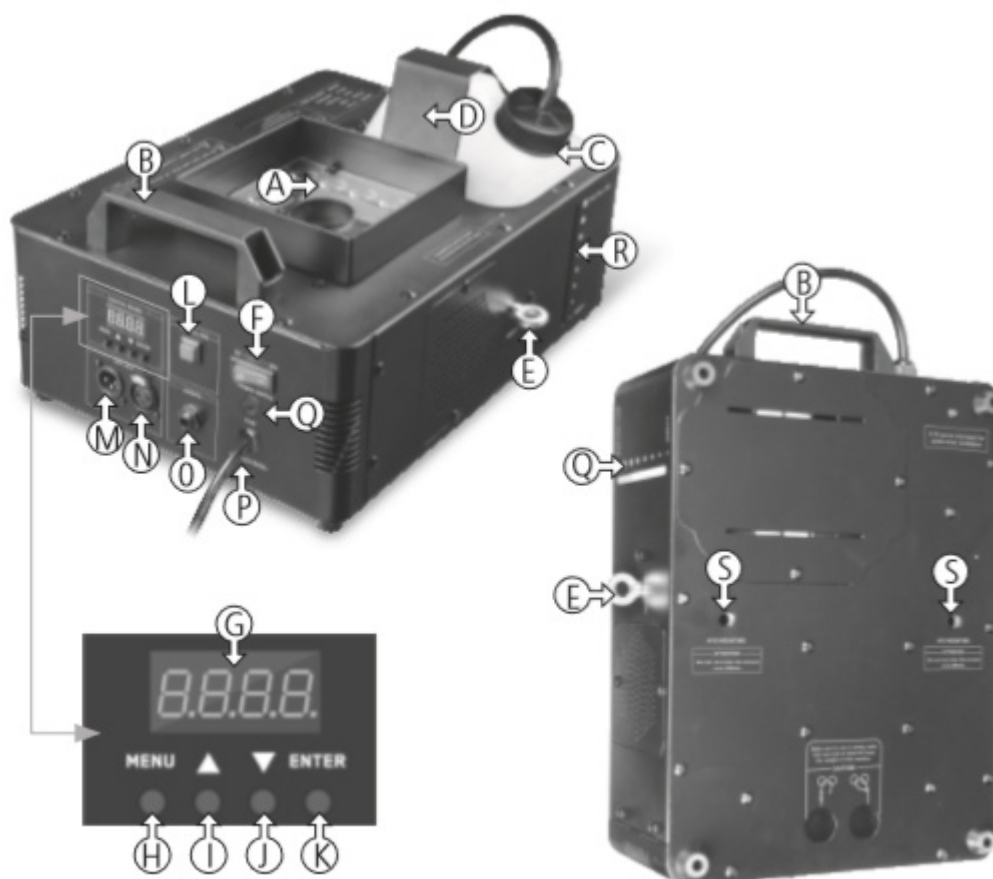
Blanco: Neutro (N).

Negro: Fase (L).

Advertencia: Este producto debe conectarse a una toma a tierra.



3. EL PRODUCTO



A. 16 LEDs

B. Asa

C. Tanque

D. Cubierta rígida del tanque

E. Presilla para cable de seguridad

F. Interruptor de encendido/apagado

G. Pantalla LED

H. Tecla menu

I. Tecla arriba

J. Tecla abajo

K. Tecla enter

L. Emisión manual

M. Entrada DMX XLR-3

N. Salida DMX XLR-3

O. Conector del control remoto

P. Cable de entrada de potencia

Q. Fusible

R. Indicador del nivel de líquido

S. Orificio para abrazadera M10*P1.5

4. DESCRIPCIÓN

- El control de iluminación LED incorporado permite crear patrones de llamas, ráfagas, etc. con facilidad, por medio del panel de control.
- Antes de colgar la Steam 700RGBA boca abajo, desajuste el tanque para ubicarlo en la posición adecuada.
- Indicador del nivel de líquido en la parte trasera.
- 5 modos DMX: 1, 2, 3, 5 y 7 canales posibles de utilizar a través de un controlador.
- El usuario puede activar la emisión de humo manual desde el panel trasero de la unidad.
- Compatible con controlador inalámbrico (RC-4CA). Steam 700RGBA es muy fácil de usar gracias a su diseño amigable y moderno.
- Cubierta de aluminio fundido y calentador de alta eficiencia que previenen obstrucciones. Equipo con conexión a tierra directa sin interrupción de funcionamiento del sistema térmico o del circuito de control DMX. Prevención de descargas eléctricas por error.
- Salida de humo de aproximadamente 20.000 pies cúbicos por minuto.
- Detección térmica electrónica: el calentador mantiene la temperatura entre emisiones.
- Protección térmica directa.

5. ANTES DE COMENZAR

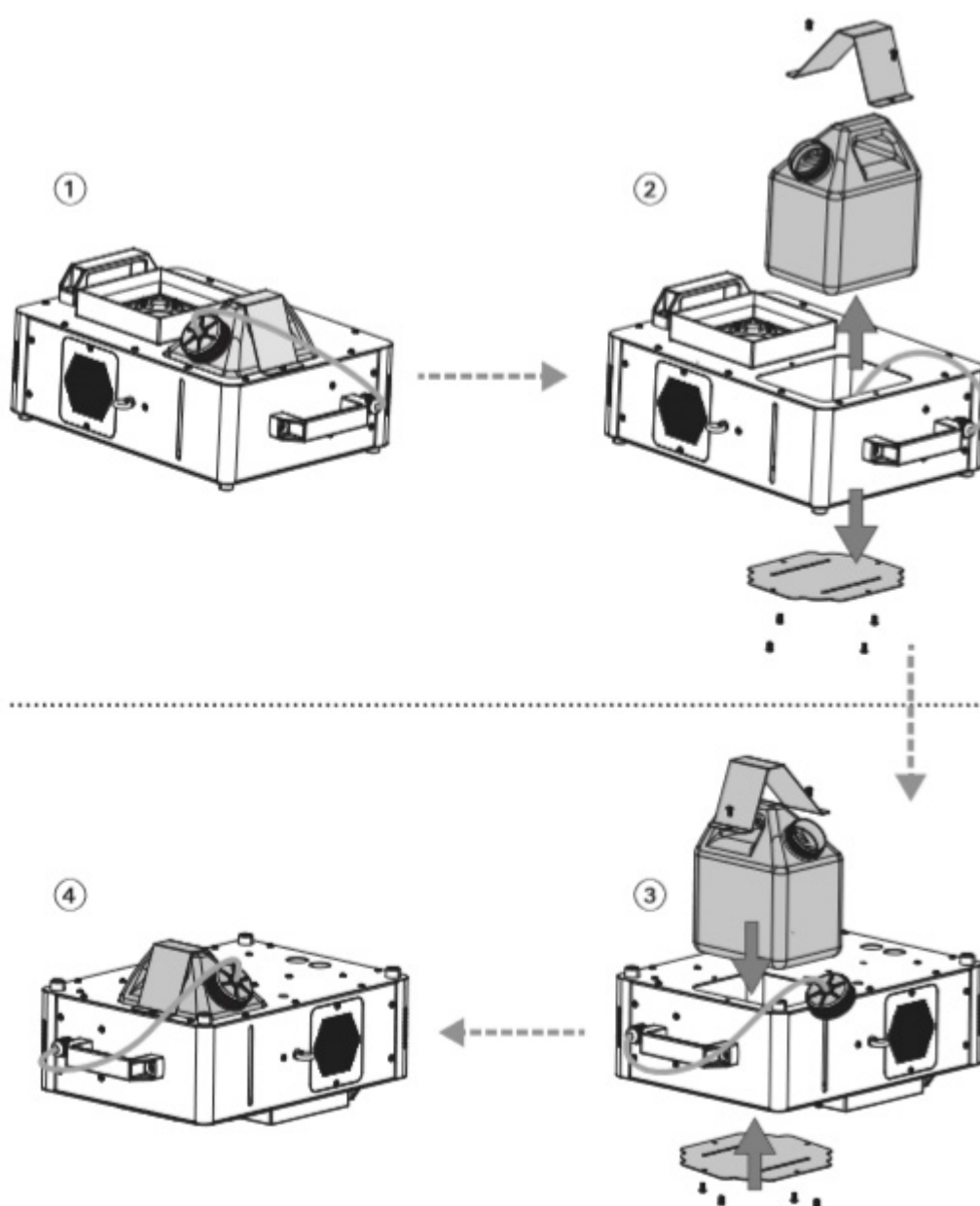
El equipo fue entregado en perfectas condiciones. Revise detenidamente que el producto no se haya dañado durante el envío. En caso de que encuentre daños, pónganse en contacto con el distribuidor.

Contenido:

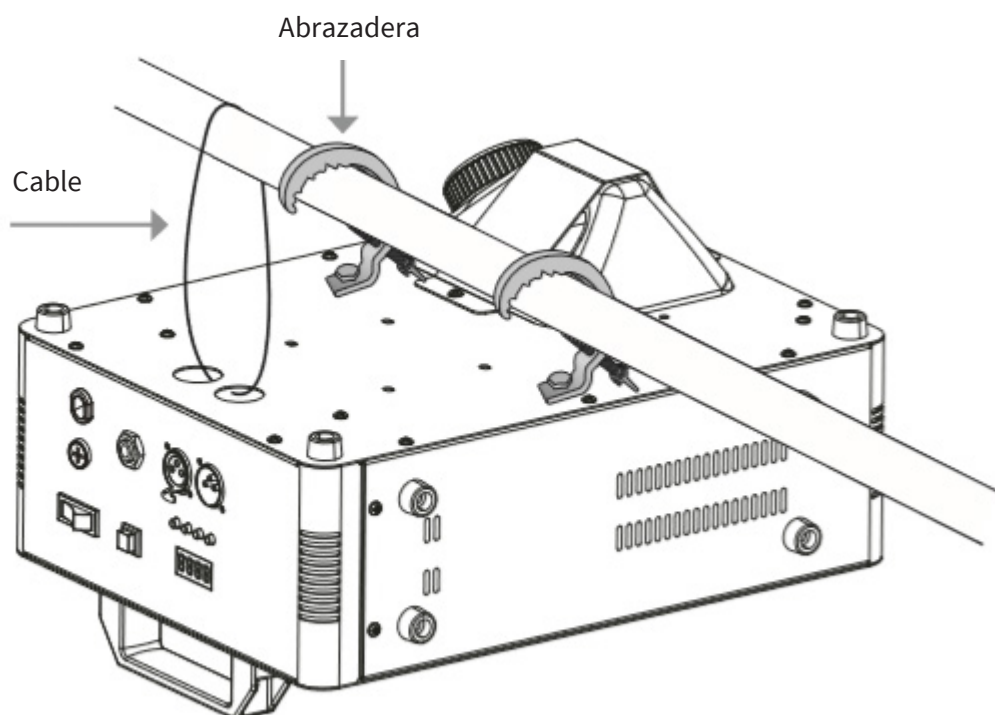
- 1 Steam 700RGBA
- 1 control inalámbrico
- 1 Manual del usuario

6. MONTAJE

Desajuste los tornillos que sostienen la cubierta rígida del tanque y su base. Gire la unidad y coloque el tanque en la nueva posición. Ubique nuevamente la base y ajuste los tornillos.



Sujete la unidad en un sistema de trussing firme (utilice abrazaderas de 15 kg atornilladas a la base de la Steam 700RGBA). Utilice un cable de seguridad como medida complementaria. Procure dejar al menos 1 metro de espacio libre alrededor de la unidad para garantizar la circulación de aire.



7. INSTALACIÓN

1. Abra el equipo con cuidado y revise que todas las piezas se encuentren presentes y en buen estado.
2. Verifique que no hayan quedado cubiertas plásticas o de goma espuma en la salida de humo.
3. Ubique el equipo sobre una superficie seca y plana.
4. Coloque el tubo de alimentación con filtro dentro del tanque (C). Utilice únicamente líquido para humo de primera calidad y a base de agua.
5. Conecte el control remoto al conector correspondiente (O). O conecte un controlador DMX (H) en la parte dorsal de la unidad.
6. Conecte el cable de alimentación al sumi-

nistro eléctrico. Espere aproximadamente 9 minutos de precalentamiento.

7. Refiérase al apéndice A para obtener más detalles de funcionamiento del control remoto.
8. Si se emite humo de forma constante por tiempo prolongado, la unidad disminuirá la temperatura del calentador hasta cesar la emisión. En caso de que esto suceda, no active la emisión.

Espere unos instantes. Una vez que la unidad vuelva a incrementar la temperatura se podrá reanudar la emisión de humo.

8. PANEL DE CONTROL



MENU: Selección del modo DMX, configuración de dirección DMX y macros de color para cada canal del controlador.

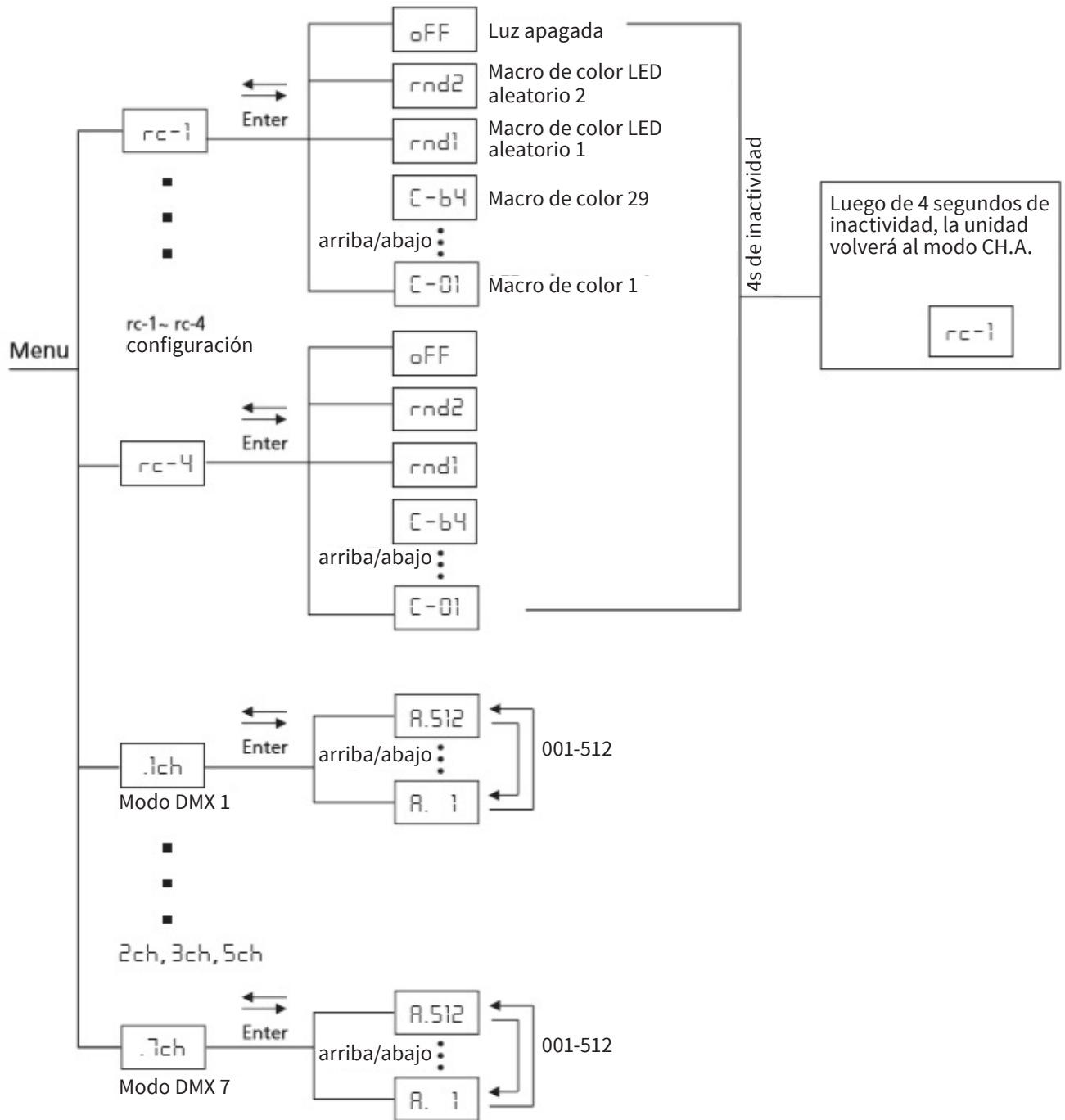
ENTER: Confirmación de acceso a las diferentes opciones del menú.

TECLA ARRIBA: Incrementa el valor numérico.

TECLA ABAJO: Disminuye el valor numérico.

Presione las teclas arriba/abajo 1,5 segundos para modificar los valores velozmente.

Descripción del Menú



Al apagar la unidad, la última configuración se guardará automáticamente y estará lista para volver a ejecutarse cuando se encienda nuevamente.

9. INSTRUCCIONES DE USO

Stand-alone

Coloque la unidad sobre una superficie seca y plana.

1. Conecte el cable de alimentación al suministro eléctrico.
2. Encienda la unidad. En la pantalla (G) verá "8888", y se encenderán los 16 LEDs (A) ubicados alrededor de la boquilla. Las letras de la pantalla desaparecerán para luego mostrar la última versión del software.
3. Luego de 2 segundos comienza el precalentamiento. En la pantalla verá "HEAt". Durante el precalentamiento, el usuario podrá configurar las funciones normalmente. Luego de 4 segundos de inactividad, la unidad volverá al estado "HEAt".
4. Espere aproximadamente 9 minutos de precalentamiento.
5. Presione la tecla de emisión de humo manual (L) para comenzar a operar la unidad.

La emisión de humo manual es compatible con todos los modos y al ejecutar los macros de color de CHA.

Uso del Control Remoto

Para optimizar el uso de su Steam 700RGBA utilice el control inalámbrico RC-4CA.

1. Conecte el control remoto al conector correspondiente (O).
2. Conecte el cable de alimentación al suministro eléctrico.
3. Encienda la unidad. En la pantalla (G) verá "8888", y se encenderán los 16 LEDs (A) ubicados alrededor de la boquilla. Las letras de la pantalla desaparecerán para luego mostrar la última versión del software.
4. Luego de 2 segundos comienza el precalentamiento. En la pantalla verá "HEAt". Durante el

precalentamiento, el usuario podrá configurar las funciones normalmente. Luego de 4 segundos de inactividad, la unidad volverá al estado "HEAt".

5. Espere aproximadamente 9 minutos de precalentamiento.
6. "CH.A, CH.b, CH.c, CH.d" corresponden a las teclas A, B, C, D (respectivamente) del control remoto. Cada canal puede contar con su propio macro de color a través de las teclas de menú (ver apartado Descripción del menú).
7. Cuando no haya señal DMX, el usuario podrá utilizar el control remoto en todos los modos a excepción de "dx" y "A.xxx".
8. Refiérase al apéndice para obtener más detalles de funcionamiento del control remoto.

Es posible utilizar la emisión de humo manual y el control remoto al mismo tiempo.

Al apagar la unidad, la última configuración se guardará automáticamente y estará lista para volver a ejecutarse cuando se encienda nuevamente.

Modo DMX

Utilice la pantalla para configurar la dirección DMX deseada. Para más información, refiérase al cuadro de canales DMX.

1. Conecte un extremo del cable DMX del controlador DMX en la entrada (M) de la máquina de humo. Verifique que la polaridad del cable de señal sea la correcta.
2. Conecte el cable de alimentación al suministro eléctrico.
3. Encienda la unidad. En la pantalla (G) verá "8888", y se encenderán los 16 LEDs (A) ubicados alrededor de la boquilla. Las letras de la pantalla desaparecerán para luego mostrar la última versión del software.
4. Luego de 2 segundos comienza el precalenta-

do. En la pantalla verá "HEAt". Durante el precalentado, el usuario podrá configurar las funciones normalmente. Luego de 4 segundos de inactividad, la unidad volverá al estado "HEAt".

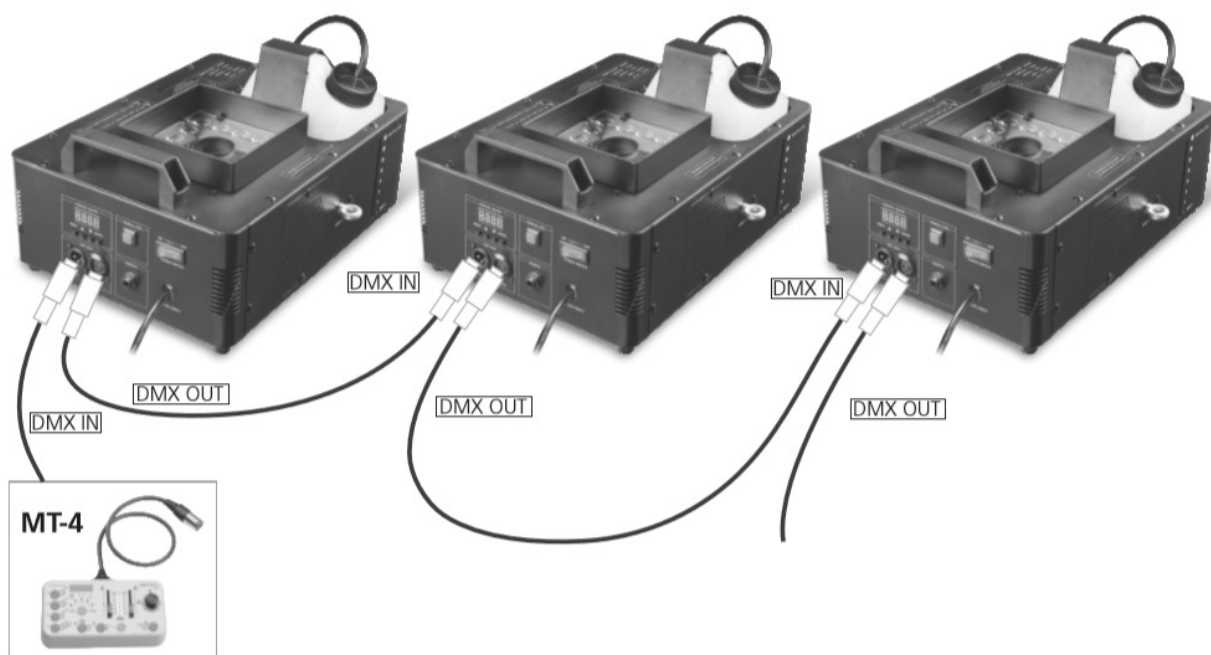
5. Espere aproximadamente 9 minutos de precalentamiento.
6. Existen 5 modos DMX disponibles: 1CH, 2CH, 3CH, 5CH y 7CH. Seleccione el deseado a través del menú: En la pantalla verá "d1 to d7".
7. Una vez finalizado el precalentado, en la pantalla se indicará el modo de control: "dx" o "A.xxx". Asegúrese de configurar el modo DMX y la dirección DMX deseadas. A partir de este momento, su CF-8.0 está lista para ser operada

por un controlador DMX.

8. Si desea conectar otra máquina de humo: Conecte el extremo de un cable de señal en la salida (N) de la primera unidad CF-8.0. Luego conecte el otro extremo del cable en la entrada de la segunda FZ-2.0. Repita este paso si precisa conectar más máquinas. Es posible conectarlas en cadena si así lo desea.

Es posible utilizar la emisión de humo manual y el control DMX al mismo tiempo.

Al apagar la unidad, la última configuración se guardará automáticamente y estará lista para volver a ejecutarse cuando se encienda nuevamente.



10. CUADRO DE CANALES DMX

Modo 1 canal

CH1
Humo y cambio de color aleatorio
32-255: Salida máxima. Cambio de color aleatorio.
0-31: Apagado

Modo 2 canales

CH1	CH2
Humo	Macro de color
32-255: Salida máxima	Macro de color 1-64
0-31: Apagado	(ver figura 3, lista de macros de color)

Modo 3 canales

CH1	CH2	CH3
Humo	Macros de color	ESTROBO
32-255: Salida máxima	Macro de color 1-64 (ver figura 3, lista de macros de color)	160-255: Estrobo aleatorio (velocidad creciente)
0-31: Apagado		96-159: Efecto pulse en secuencia
		32-95: Estrobo aleatorio (velocidad creciente)
		0-31: Estrobo apagado

Modo 5 canales

0: Apagado	CH2	CH3	CH4	CH5
Humo	ROJO	VERDE	AZUL	ÁMBAR
32-255 Salida máxima	1-255 MIN a MÁX	1-255 MIN a MÁX	1-255 MIN a MÁX	1-255 MIN a MÁX
0-31: Apagado	0: Apagado	0: Apagado	0: Apagado	0: Apagado

Modo 7 canales

CH1	CH2	CH3	CH4	CH5	CH6	CH7
Humo	ROJO	VERDE	AZUL	ÁMBAR	ESTROBO	DIMMER MAESTRO
32-255 Salida máxima	1-255 MIN a MÁX	1-255 MIN a MÁX	1-255 MIN a MÁX	1-255 MIN a MÁX	160-255 Aleatorio Estrobo (velocidad creciente)	1-255 MIN a MÁX
0-31: Apagado	0: Apagado	0: Apagado	0: Apagado	0: Apagado	96-159: Efecto pulse en secuencia	0: Apagado
					32-95: Estrobo (velocidad creciente)	
					0-31: Estrobo apagado	

Lista de macros de color

Valor	Color	Valor	Color
0	Apagado		
1-4	Rojo: 80 Verde: 255 Azul: 234 Blanco/Ámbar: 80	129-132	Rojo: 255 Verde: 206 Azul: 143 Blanco/Ámbar: 0

5-8	Rojo: 80 Verde: 255 Azul: 164 Blanco/Ámbar: 80	133-136	Rojo: 254 Verde: 177 Azul: 153 Blanco/Ámbar: 0
9-12	Rojo: 77 Verde: 255 Azul: 112 Blanco/Ámbar: 77	137-140	Rojo: 254 Verde: 192 Azul: 138 Blanco/Ámbar: 0
13-16	Rojo: 117 Verde: 255 Azul: 83 Blanco/Ámbar: 83	141-144	Rojo: 254 Verde: 165 Azul: 98 Blanco/Ámbar: 0
17-20	Rojo: 160 Verde: 255 Azul: 77 Blanco/Ámbar: 77	145-148	Rojo: 254 Verde: 121 Azul: 0 Blanco/Ámbar: 0
21-24	Rojo: 223 Verde: 255 Azul: 83 Blanco/Ámbar: 83	149-152	Rojo: 176 Verde: 17 Azul: 0 Blanco/Ámbar: 0
25-28	Rojo: 255 Verde: 243 Azul: 77 Blanco/Ámbar: 77	153-156	Rojo: 96 Verde: 0 Azul: 11 Blanco/Ámbar: 0
29-32	Rojo: 255 Verde: 200 Azul: 74 Blanco/Ámbar: 74	157-160	Rojo: 234 Verde: 139 Azul: 171 Blanco/Ámbar: 0
33-36	Red = 255 Green = 166 Blue = 77 W/A = 77	161-164	Red = 224 Green = 5 Blue = 97 W/A = 0
37-40	Rojo: 255 Verde: 166 Azul: 77 Blanco/Ámbar: 77	165-168	Rojo: 224 Verde: 5 Azul: 97 Blanco/Ámbar: 0
41-44	Rojo: 255 Verde: 97 Azul: 77 Blanco/Ámbar: 74	169-172	Rojo: 119 Verde: 130 Azul: 199 Blanco/Ámbar: 0
45-48	Rojo: 255 Verde: 71 Azul: 77 Blanco/Ámbar: 71	173-176	Rojo: 147 Verde: 164 Azul: 212 Blanco/Ámbar: 0

49-52	Rojo: 255 Verde: 83 Azul: 134 Blanco/Ámbar: 83	177-180	Rojo: 88 Verde: 2 Azul: 163 Blanco/Ámbar: 0
53-56	Rojo: 255 Verde: 93 Azul: 182 Blanco/Ámbar: 93	181-184	Rojo: 0 Verde: 38 Azul: 86 Blanco/Ámbar: 0
57-60	Rojo: 255 Verde: 96 Azul: 236 Blanco/Ámbar: 96	185-188	Rojo: 0 Verde: 142 Azul: 208 Blanco/Ámbar: 0
61-64	Rojo: 238 Verde: 93 Azul: 255 Blanco/Ámbar: 93	189-192	Rojo: 52 Verde: 148 Azul: 209 Blanco/Ámbar: 0
65-68	Rojo: 196 Verde: 87 Azul: 255 Blanco/Ámbar: 87	193-196	Rojo: 1 Verde: 134 Azul: 201 Blanco/Ámbar: 0
69-72	Rojo: 150 Verde: 90 Azul: 255 Blanco/Ámbar: 90	197-200	Rojo: 0 Verde: 145 Azul: 212 Blanco/Ámbar: 0
73-76	Rojo: 100 Verde: 77 Azul: 255 Blanco/Ámbar: 77	201-204	Rojo: 0 Verde: 121 Azul: 192 Blanco/Ámbar: 0
77-80	Rojo: 77 Verde: 100 Azul: 255 Blanco/Ámbar: 77	205-208	Rojo: 0 Verde: 129 Azul: 184 Blanco/Ámbar: 0
81-84	Rojo: 67 Verde: 148 Azul: 255 Blanco/Ámbar: 67	209-212	Rojo: 0 Verde: 83 Azul: 115 Blanco/Ámbar: 0
85-88	Rojo: 77 Verde: 195 Azul: 255 Blanco/Ámbar: 77	213-216	Rojo: 8 Verde: 107 Azul: 222 Blanco/Ámbar: 0
89-92	Rojo: 77 Verde: 234 Azul: 255 Blanco/Ámbar: 77	217-220	Rojo: 107 Verde: 156 Azul: 231 Blanco/Ámbar: 0

93-96	Rojo: 158 Verde: 255 Azul: 144 Blanco/Ámbar: 144	221-224	Rojo: 165 Verde: 198 Azul: 247 Blanco/Ámbar: 0
97-100	Rojo: 255 Verde: 251 Azul: 153 Blanco/Ámbar: 153	225-228	Rojo: 209 Verde: 219 Azul: 182 Blanco/Ámbar: 0
101-104	Rojo: 255 Verde: 175 Azul: 147 Blanco/Ámbar: 147	229-232	Rojo: 42 Verde: 165 Azul: 85 Blanco/Ámbar: 0
105-108	Rojo: 255 Verde: 138 Azul: 186 Blanco/Ámbar: 138	233-236	Rojo: 0 Verde: 46 Azul: 35 Blanco/Ámbar: 0
109-112	Rojo: 255 Verde: 147 Azul: 251 Blanco/Ámbar: 147	237-240	Rojo: 255 Verde: 0 Azul: 0 Blanco/Ámbar: 0
113-116	Rojo: 151 Verde: 138 Azul: 255 Blanco/Ámbar: 138	241-244	Rojo: 0 Verde: 255 Azul: 0 Blanco/Ámbar: 0
117-120	Rojo: 151 Verde: 138 Azul: 255 Blanco/Ámbar: 138	245-248	Rojo: 0 Verde: 0 Azul: 255 Blanco/Ámbar: 0
121-124	Rojo: 138 Verde: 169 Azul: 255 Blanco/Ámbar: 138	249-252	Rojo: 0 Verde: 0 Azul: 0 Blanco/Ámbar: 255
125-128	Rojo: 17 Verde: 0 Azul: 145 Blanco/Ámbar: 42	253-255	Rojo: 255 Verde: 255 Azul: 255 Blanco/Ámbar: 255

11. RESOLUCIÓN DE PROBLEMAS

Esta guía le permitirá al usuario resolver problemas simples. En caso de surgir algún inconveniente con la unidad, siga los pasos descritos a continuación hasta lograr resolverlo. Una vez solucionado el inconveniente, no es necesario continuar con los pasos restantes. Si el equipo continúa con inconvenientes, póngase en contacto con el servicio técnico autorizado.

La unidad está conectada, pero no hay emisión de humo

1. Verifique el suministro eléctrico. Conecte la unidad a una fuente de alimentación con toma

a tierra y el rango de voltaje correspondiente.

2. Verifique el estado del control remoto y si cuenta con suficiente batería.
3. Verifique la configuración de la dirección DMX.
4. Desconecte la unidad del suministro eléctrico. Reemplace el fusible por uno del mismo tipo y rango.

Otras situaciones anómalas

- Este mensaje titilante indica sobrecalentamiento del calentador o un corte en el termosensor.

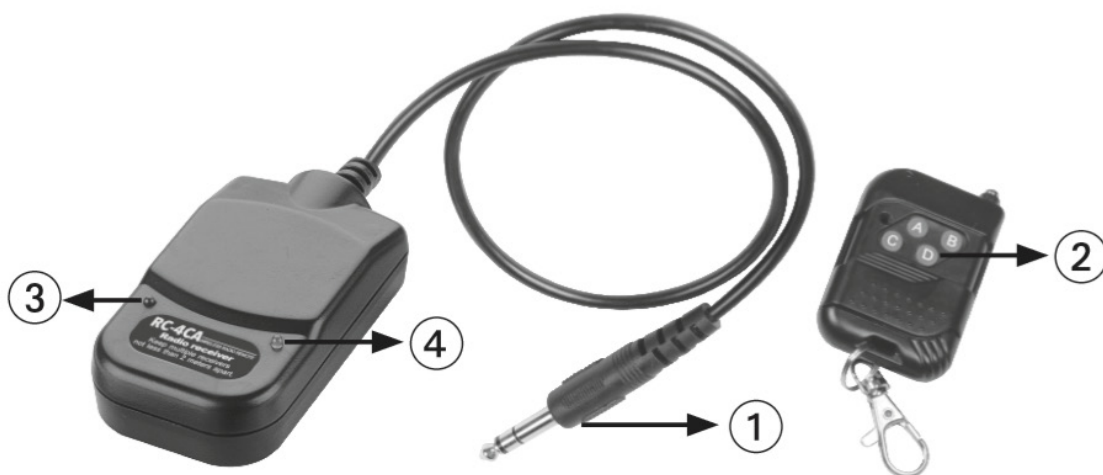
12. MANTENIMIENTO

Desconecte la unidad del suministro eléctrico y aguarde que se enfríe antes de realizar cualquier tarea de mantenimiento.

Un profesional calificado debe realizar el mantenimiento de la unidad.

- No permita que se ensucie el líquido de humo. Asegúrese de limpiar y sustituir las tapas del tanque. Vuelva a colocarlas de inmediato para evitar que ingresen partículas indeseadas.
- Verifique que no haya pérdidas de aceite en los conectores del tubo, la bomba y el calentador. Si detecta una pérdida, utilice una herramienta para asegurar firmemente los conectores.
- Mantenga la placa de PC limpia y en buen estado. Si detecta aceite, extraiga la placa y límpiela de ambos lados con alcohol diluido. Déjela secar bien y luego vuelva a colocarla. Compruebe la correcta conexión de todos los cables.
- Utilice un paño seco para limpiar la cubierta de la unidad.

13. APPENDIX - A RC-4CA



1. Conector estéreo de 1/4"
2. Teclas
3. LED verde (humo)
4. LED rojo (encendido)

Uso del control remoto

Steam 700RGBA está diseñado para funcionar con un control remoto. La distancia factible del control se extiende a los 30 metros.

A. Transmisor de cuatro canales

Las teclas A, B, C, D corresponde a "CH.A, CH.b, CH.c, CH.d" respectivamente. Cada canal puede contar con su propio macro de color a través de las teclas de menú (ver apartado Descripción del menú). Presione una tecla para comenzar la emisión de humo y suéltela para detenerla.

B. Receptor:

- LED rojo: Indicador de encendido. Una vez encendida la máquina de humo, el LED rojo del receptor se encenderá. Al desconectarla, el LED rojo se apagará.

- LED verde: Indicador de estado.
 1. Durante el precalentamiento, el LED verde estará apagado.
 2. Una vez finalizado el precalentamiento, el LED verde se encenderá.
- *En caso de recibir una señal válida, el LED verde del receptor se apagará. Si dicha señal se interrumpe, el LED verde se encenderá y la emisión finalizará.*
- *La máquina no emite humo durante los 9 minutos de calentamiento y los 80 segundos de los ciclos de recalentamiento. Una vez alcanzada la temperatura necesaria, estará lista para operar.*