

# NAVIGATOR 3+

*Dmx moving lights controller – 384 channels*



## **USER MANUAL / MANUAL DE USUARIO**

PLEASE READ THE INSTRUCTIONS CAREFULLY BEFORE USE  
*POR FAVOR LEA LAS INSTRUCCIONES ANTES DE USAR*



# 1. OVERVIEW

---

## Navigator 3+

*DMX moving lights controller - 192 channels*

**Navigator 3+** is a multifunction controller that can be used as a DMX console and as a MIDI controller. In its DMX facet the team has a total of 384 channels, being able to control up to 32 parameters in the 12 luminaires it supports. Navigator 3+ has 30 memory banks with 8 programmable scenes per bank and also sports 12 chases with 240 steps each. A large display, the full integration of MIDI and the incorporation of a high precision joystick to control the movements of the luminaires are some of the features that make it one of the most complete controllers in its segment.

## Specifications

---

### *Interface*

- 7-segment LCD display
- 8 faders for manual control - 4 pages
- Joystick - Pan and Tilt
- Blackout master button
- Fog machine button
- Speed and fade time faders

### *Features*

- 384 DMX channels - 12 fixtures of 32 DMX channels
- 12 programmable chases with 240 scenes
- 30 memory banks
- 8 scenes per memory bank
- Fade time assignable
- Manual override
- Controllable via MIDI
- Built-in microphone

### *Connectors*

- 1 XLR-3 DMX Output connector
- 2 MIDI connectors (In/Out)
- 1 DIN connector: Fog Machine
- 1 RCA connector
- 1 USB port
- 1 DB-9 connector for Ext Step control
- 1 Power input

### *Electrical*

- Power supply: 9V-12VDC, 500mA Min.

### *Physical*

- Dimensions: 483x135x82 mm. / 19x5.3x3.2 in.
- Weight: 2.2 kg. / 4.8 lbs.

## 2. SAFETY PRECAUTIONS

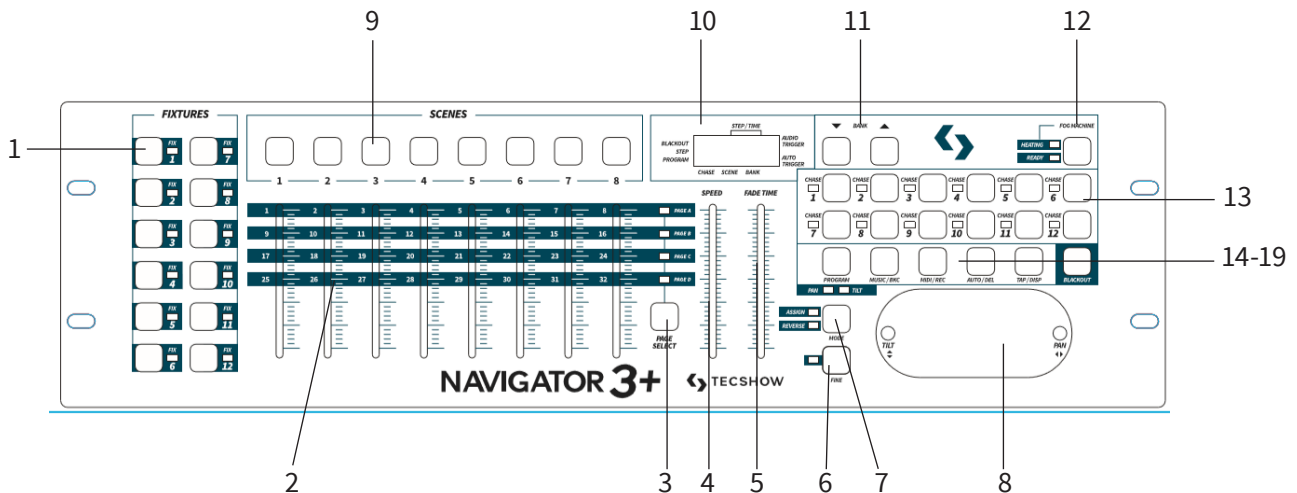
### Warnings

- This unit is intended for indoor user only.
- Do not allow for any flammable liquids, water, or metal objects to enter the unit.
- To reduce the risk of fire or electric shock, do not expose the unit to rain or high levels of moisture.
- No user serviceable parts inside, do not dismantle the unit yourself.
- Repairs must be done by qualified personnel only.
- Please do not allow children to play and tamper with this product.

### Cautions

- When unpacking, please ensure that the unit is not damaged. Should something be wrong, please contact us immediately.

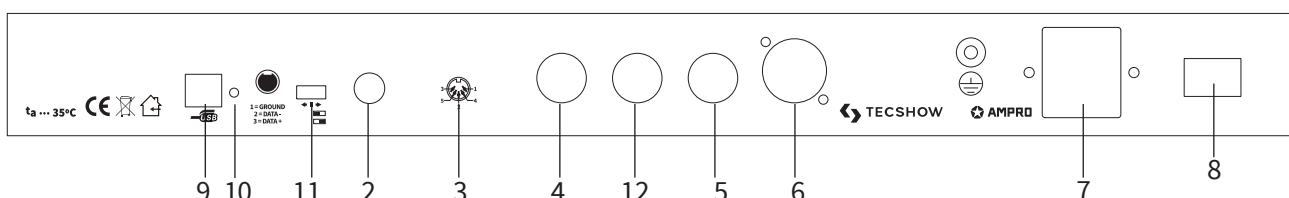
## 3. FRONT PANEL OVERVIEW



1. Fixture buttons (1-12): Used to select relevant fixtures for control.
2. Channel faders (1-8): Used to control the output of each corresponding fixture channel.
3. Channel Bank button: Used to switch between channels 1-8, 9-16, 17-24 and 25-32.
4. Speed fader: Used to adjust chase speed (range is 0.1 second to 10 minutes per step).
5. Fade Time fader: Used to adjust chase fade time (range is 0 to 30 seconds).

6. Fine button: Used in conjunction with the joystick. When the Fine button is engaged, adjusting the joystick will be more precise when needing to hit a specific area with a scanner or moving head.
7. Mode button: This is a multi-function button that is used when assigning the joystick & Fade setting.
8. Joystick: Traditionally used to adjust the X/Y channels of a moving light.
9. Scene buttons (1-8): Used when storing or playing back programmed scenes. Also used when backing up data to a USB Stick or through a ULink Cable.
10. LED display: The LED display shows you relevant information depending on current operation.
11. Bank Up/Down button: Used to select a scene bank or chase step. Also used to view files in memory stick.
12. Fog-machine button: Used to trigger fog machine which should be connected to rear of console.
13. Chase buttons (1-12): Used when storing or playing back relevant chases.
14. Program button: Used to enter and exit Record mode when programming.
15. Music/Bkc button: Used to engage audio mode for chase synchronization and to copy a bank of scenes to another.
16. MIDI/Rec button: Used to record scenes and chase steps. Also used to setup MIDI operation.
17. Auto/Del button: Used to enter AUTO mode for automatic scene bank sequence or to delete a scene or chase.
18. Tap/Disp button: Used to tap sync chase playback and to change display view operation.
19. Black-out button: Used to bring all current output down to zero.

## 4. REAR PANEL OVERVIEW



1. Label: Lists model, serial number, and production date.
2. Audio input: To connect line level input for audio trigger (0.1V-1Vp-p).
3. DB-9 connector: To connect optional external chase step controller. NOTE: No longer included in units manufactured after Feb. 2018.
4. MIDI IN: To receive MIDI information from a midi sequencer or compatible device.
5. Fog machine connector: To connect a compatible fog machine.
6. 3 Pin Female XLR: DMX Output. Connect to first device in line.
7. DC INPUT: Connects the included power supply to this input. (DC 9V~15V, 500mA Min).
8. Power Switch: Used to switch the units power on and off.
9. USB Interface: Outputs the MIDI signal via USB interface when connected to MIDI controller.
10. LED Lamp: Indicates the working state of USB interface.
11. Switch: Switches the function of DMX controller or MIDI controller. The change will work after re-startup.
12. MIDI Out Socket: output the MIDI signal when connected to the MIDI controller.

## 5. JOYSTICK SET UP

---

### Assign Joystick

1. Press and hold down the Program button for approximately 2 seconds or until the PROG indicator in the LED display flashes. Once the indicator is flashing, record mode is engaged and you may release the Program button.
2. Press and hold down the MODE button and then tap the FINE button. The “Assign” and “Pan” LED’s should illuminate.
3. "Assign Joystick Reverse" (Pan/Tilt Invert) Operation Guide Select the fixtures that you wish to assign the "Pan" for by pressing the FIXTURES# buttons, 1-12, so the selected fixture LED’s illuminate.
4. Press the Tap/Disp button to switch between “PL.XX” & “PH.XX”. “PL.XX” represents the Low Byte or Fine channel, generally listed as the Pan Fine channel and PH.XX represents the High Byte or Coarse channel, generally listed as the Pan channel. Set it to “PH.XX” and press and hold down the MODE button and then tap the SCENE button that corresponds to the Pan channel of your fixture. For example, if your fixtures Pan channel is 1 then you’d press the SCENE #1 button. Please refer to the fixtures DMX chart. If your fixture includes a pan fine channel, press the Tap/Disp button so the display reads "PL.XX". Press and hold down the MODE button and then tap the SCENE button that corresponds to the Pan Fine channel of your fixture. For example, if your fixtures Pan Fine channel is 2 then you’d press the SCENE #2 button.
5. Press the BANK UP or DOWN buttons to switch between “TL.XX” & “TH.XX”. “TL.XX” represents the Low Byte or Fine channel, generally listed as the Tilt Fine channel and TH.XX represents the High Byte or Coarse channel, generally listed as the Tilt channel. Set it to “TH.XX” and press and hold down the MODE button and then tap the SCENE button that corresponds to the Tilt chan-

nel of your fixture. For example, if your fixtures Tilt channel is 3 then you’d press the SCENE #3 button. Please refer to the fixtures DMX chart. If your fixtures includes a Tilt Fine channel, press the Tap/Disp button so the display reads "TL.XX". Press and hold down the MODE button and then tap the SCENE button that corresponds to the Tilt Fine channel of your fixture. For example, if your fixtures PAn Fine channel is 2 then you’d press the SCENE #4 button.

6. Press and hold down the Program button and approximately 2 seconds or until the PROG indicator in the LED display stops flashing. A flashing Blackout indicator in the LED display confirms that the controller is out of Program mode.

### Assign Joystick Reverse (pan/tilt invert)

1. Press and hold down the Program button for approximately 2 seconds or until the PROG indicator in the LED display flashes. Once the indicator is flashing, record mode is engaged and you may release the Program button.
2. Press and hold down the MODE button and then tap the FINE button. The “Assign” and “Pan” LED’s should illuminate.
3. Once again, press and hold down the MODE button and then tap the FINE button. The “Reverse” LED should illuminate.
4. Select the fixtures that you wish to assign the "Pan Reverse" & "Tilt Reverse" for by pressing the FIXTURES # buttons, 1-12, so the selected fixtures LED’s illuminate. Ideally, you should assign opposite fixtures for Pan/Tilt Reverse. For example, fixtures 1, 3, 5, 7, etc... should be assigned normal as described in the previous section and fixtures 2, 4, 6, etc... should be assigned reversed so that when moving the joystick around, fixtures movements are reversed

from one another. This feature is traditionally referred to as Pan/Tilt invert.

5. Press the Tap/Disp button to switch between "PL.XX" & "PH.XX". "PL.XX" represents the Low Byte or Fine channel, generally listed as the Pan Fine channel and PH.XX represents the High Byte or Coarse channel, generally listed as the Pan channel. Set it to "PH.XX" and press and hold down the MODE button and then tap the SCENE button that corresponds to the Pan channel of your fixture. For example, if your fixtures Pan channel is 1 then you'd press SCENE #1 button. Please refer to the fixtures DMX chart. If your fixture includes a pan fine channel, press the Tap/Disp button so the display reads "PL.XX". Press and hold down the MODE button and then tap the SCENE button that corresponds to the Pan Fine channel of your fixture. For example, if your fixtures Pan Fine channel is 2 then you'd press the SCENE #2 button.
6. Press the BANK UP or DOWN buttons to switch between "TL.XX" & "TH.XX". "TL.XX" represents the Low Byte or Fine channel, generally listed as the Tilt Fine channel and TH.XX represents the High Byte or Coarse channel, generally listed as the Tilt channel. Set it to "TH.XX" and press and hold down the MODE button and then tap the SCENE button that corresponds to the Tilt channel of your fixture. For example, if your fixtures Tilt channel is 3 then you'd press the SCENE #3 button. Please refer to the fixtures DMX chart. If your fixture includes a Tilt Fine channel, press the Tap/Disp button so the display reads "TL.XX". Press and hold down the MODE button and then tap the SCENE button that corresponds to the Tilt Fine channel of your fixture. For example, if your fixtures Pan Fine channel is 2 then you'd press the SCENE #4 button.
7. Press and hold down the Program button for approximately 2 seconds or until the PROG indicator in the LED display stops flashing. A flashing Blackout indicator in the LED-display confirms that the controller is out of Program mode.

## Delete Joystick Pan/Tilt Assignment

1. Press and hold down the Program button for approximately 2 seconds or until the PROG indicator in the LED display flashes. Once the indicator is flashing, record mode is engaged and you may release the Program button.
2. Press and hold down the MODE button and then tap the FINE button. The "Assign" and "Pan" LED's should illuminate.
3. Select the fixtures that you wish to delete the joystick Pan/Tilt settings for by pressing the relevant FIXTURES # buttons, 1-12, so the relevant LEDs illuminate.
4. Press and hold down the MODE button, and then tap the Auto/DEL button to delete the settings for the selected fixtures. All LEDs will flash three times to confirm that the settings were erased.
5. Press and hold down the Program button for approximately 2 seconds or until the PROG indicator in the LED display stops flashing. A flashing Blackout indicator in the LED display confirms that the controller is out of Program mode.

## Delete Pan/Tilt Joystick Settings For All Fixtures

1. Flip the Operator power switch to OFF. The switch is located at the rear of the unit.
2. Simultaneously, press and hold down the Auto/Del and MODE buttons and flip the power switch ON. All LEDs will flash three times to confirm that the Pan/Tilt settings were erased.

## 6. MANUAL CONTROL

---

When powered ON, this console defaults to Manual/Blackout mode. All output will be in a blackout state until the Blackout button is deselected. To determine blackout status there is an indicator light in the display that flashes when engaged and OFF when disengaged. To gain manual control, disengage blackout, select the fixtures that you wish to control by selecting the relevant fixture buttons on the left then use the eight channel faders, joystick and the channel bank button to manually control the fixtures.

Note: In most cases, for the joystick to work, you must first assign it. Please see the Assign Joystick section of this manual.

## 7. RECORDING SCENES

---

1. Select the fixtures that you wish to include into your scene by pressing the FIXTURES # buttons, 1-12, so the selected fixture LED's illuminate.
2. Press and hold down the Program button for approximately 2 seconds or until the PROG indicator in the LED display flashes. Once the indicator is flashing, record mode is engaged and you may release the Program button.
3. Set your scene using the eight Channel faders, joystick or Channel Bank button if needed. The Channel Bank button should be used to switch between channel banks 1-8, 9-16, 17-24 and 25-32.
4. Once you are satisfied with the look of your scene, press the MIDI/RED button to Record it.
5. Using the BANK UP & DOWN buttons, select a scene bank to store to. There are 30 available Scene Banks and you can view them in the LED-display by referring to the furthest two digits to the right.
6. Press a Scene button, 1-8, to store to. Once pressed, all LED's will flash indicating that your scene was stored. There are 8 Scene buttons to store to for each bank. Make sure you select a different scene button each time you store a scene so you don't record over something that you wanted to keep.
7. To Record additional scenes, repeat steps 2 through 6.
8. Once you've stored all of your scenes, press and hold down the Program button or approximately 2 seconds to exit. A flashing Blackout indicator in the LED display, is indicative that you are out of program mode.

## 8. EDITING SCENES

---

1. Press and hold down the Program button for approximately 2 seconds or until the PROG indicator in the LED display flashes. Once the indicator is flashing, record mode is engaged and you may release the Program button.
2. Using the UP/Down BANK button, select the bank that contains the scene that you want to edit. You can view the active bank in the LED-display.
3. Press the Scene button, 1-8 , that you want to edit so the scene comes on.
4. Select the fixture or fixtures that you wish to change settings for in the current scene by pressing the relevant Fixture #, 1-12. The selected fixture LED's should illuminate.
5. Make your changes using the faders or joystick.
6. Press the MIDI/RED button and the press the scene # button that you are editing. All LED's will flash three times to confirm that your new settings were saved.
7. Press and hold down the Program button for approximately 2 seconds to exit. A flashing Blackout indicator, in the LED display, is indicative that you are out of program mode.

## 9. COPY A SCENE

---

1. Press and hold down the Program button for approximately 2 seconds or until the PROG indicator in the LED display flashes. Once the indicator is flashing, record mode is engaged and you may release the Program button.
2. Select the bank that contains the scene you want to copy with the Bank UP/DOWN buttons.
3. Select the Scene # button, 1-8, that you want to copy.
4. Use the UP/DOWN BANK buttons to change the scene bank if desired.
5. Press the Midi/Rec button followed by the Scene # button, 1-8, that you want to copy the scene to. All LED's should flash three times to confirm and save settings.
6. Press and hold down the Program button for approximately 2 seconds or until the PROG indicator in the LED display stops flashing. A flashing Blackout indicator, in the LED display, is indicative that you are out of the program mode.



## 10. DELETE A SCENE

---

1. Press and hold down the Program button for approximately 2 seconds or until the PROG indicator in the LED display stops flashing. Once the indicator is flashing, record mode is engaged and you may release the Program button.
2. Select the bank that contains the scene you want to delete with the Bank UP/DOWN buttons.
3. Simultaneously, press the Auto/Del button then press the Scene # button, 1-8, that you want to delete. All LED's should flash three times to confirm that the scene was deleted.
4. Repeat steps 2 & 3 to delete additional scenes.
5. Press and hold down the Program button for approximately 2 seconds or until the PROG indicator in the LED display stops flashing. A flashing Blackout indicator, in the LED display, is indicative that you are out of program mode.

## 11. DELETE ALL SCENES

---

1. Flip the Operators power switch OFF which is located at the rear of the unit.
2. Simultaneously, press and hold down the Program and Bnk Down buttons and flip the power switch ON. All LED's will flash three times to confirm that all scenes were deleted.

## 12. SCENE PLAYBACK

---

### Manual Trigger

1. When powered ON, this console defaults to Manual/Blackout mode. All output will be in a blackout state until the Blackout button is deselected. To determine blackout status, there is an indicator light in the display that flashes when engaged and OFF when disengaged.
2. Press the Blackout button so the indicator stops flashing.
3. Press the Bank UP/DOWN buttons to select the scene bank that contains the scene that you want to playback.
4. Press the Scene # button, 1-8, that you want to playback. The selected scene will engage. Press the same scene # button again to disable the

scene or the Blackout button to bring all output to a blackout state.

4. Repeat steps 2 & 3 to manually playback additional scenes.

## Auto Trigger

1. Press the AUTO/Del button, the Auto Trigger indicator light will illuminate in the LED display. This indicates you that you are now in the Auto trigger mode.
2. Press the Bank UP/DOWN buttons to select a desired scene bank, 1-30, for automatic playback. All eight scenes in the selected scene bank will sequence.
3. At any time, you can adjust the Speed and Fade fader to the adjust your scene sequence playback state. You can also press the Tap/Disp button twice to establish a sequence rate. The

rate will be determined by the tempo at which you press the Tap/Disp button. Pressing the Auto/Del button again will disengage automatic playback mode.

## Audio Trigger

1. Press the Music/Rec button, the Audio Trigger indicator light will illuminate in the LED display. This indicates you that you are now in the Audio trigger mode.
2. Press the Bank UP/DOWN buttons to select a desired scene bank, 1-30, or a chase # button, 1-12. The selected scene bank or chases will trigger to audio via the internal microphone or line level input if connected. Pressing the Music/Rec button again will disengage audio mode.

# 13. RECORDING CHASES

---

This product has 12 programmable chases. Each of which can store up to 240 scenes/steps. Please see the below instructions for chase setting.

1. Press and hold down the Program button for approximately 2 seconds or until the PROG indicator in the LED display flashes. Once the indicator is flashing, record mode is engaged and you may release the Program button.
2. Select a Chase # button, 1-12, that you wish to record to. The relevant Chase LED should illuminate.
3. Using the BANK UP & DOWN buttons, select the scene bank, 1-30, that contains the scene you want added to your chase. You can view the scene banks in the LED display by referring to the furthest two digits to the right. You can also set your scene using the eight Channel faders, joystick, or Channel Bank button on the

y if desired. The Channel Bank button should be used to switch between channel banks 1-8, 9-16, 17-24 and 25-32.

4. Press the MIDI/REC button to record the chase step. All LEDs will flash three times to confirm that the chase step was recorded.
5. Repeat steps 3 & 4 to record additional steps.
6. Once you've recorded all of your steps, press and hold down the Program button for approximately 2 seconds to exit. A flashing Blackout indicator, in the LED display, is indicative that you are out of program mode.

## Recording A Bank Of Scenes To A Chase

1. Press and hold down the Program button for approximately 2 seconds or until the PROG indicator in the LED display flashes. Once the

- indicator is flashing, record mode is engaged and you may release the program button.
2. Select a Chase # button, 1-12, that you wish to record to. The relevant Chase LED should illuminate.
  3. Using the BANK UP & DOWN buttons, select the scene bank, 1-30, that you want added to your chase. You can view the scene banks in the LED display by referring to the furthest two digits to the right.
  4. Simultaneously press the Music/Bkc and Midi/

- Rec buttons to record the entire scene bank. All LED's will flash three times to confirm that the scene bank was recorded. Scenes will record in the exact same sequence as stored in the bank.
5. Repeat steps 3 & 4 to record additional scene banks.
  6. Once you've recorded all of your steps, press and hold down the Program button for approximately 2 seconds to exit. A flashing Blackout indicator, in the LED display, is indicative that you are out of program mode.

## 14. EDITING CHASES

---

### Add A Chase Step

1. Press and hold down the Program button for approximately 2 seconds or until the PROG indicator in the LED display flashes. Once the indicator is flashing, record mode is engaged and you may release the program button.
2. Select the Chase # button, 1-12, that you wish to add a step to. The relevant Chase LED should illuminate.
3. Press the Tap/Disp button, the Step indicator light should illuminate in the LED display.
4. Press the Bank UP/DOWN buttons to manually step through the chase steps. Find the chase step that you wish to add a step after.
5. Press the Tap/Disp button disengage Step mode. The Step indicator, in the LED display, should be OFF.
6. Using the BANK UP & DOWN buttons, select the scene bank, 1-30, that contains the scene you want to add. You can view the scene banks in the LED display by referring to the furthest two digits to the right.
7. Press the MIDI/REC button to record the step into you chase. All LEDs should flash three times to confirm that the chase step was added.

8. Repeat steps 3 through 7 to add additional chase steps.
9. Press and hold down the Program button for approximately 2 seconds to exit. A flashing Blackout indicator, in the LED display, is indicative that you are out of program mode.

### Deleting Chase Steps

1. Press and hold down the Program button for approximately 2 seconds or until the PROG indicator in the LED display flashes. Once the indicator is flashing, record mode is engaged and you may release the Program button.
2. Select the Chase # button, 1-12, that you want to delete a step in. The relevant chase LED should illuminate
3. Press the Tap/Disp button, the Step indicator light should illuminate in the LED display.
4. Press the Bank UP/DOWN buttons to manually step through the chase steps. Find the chase step that you want to delete.
5. Press the Auto/Del button to delete the chase step. All LED's should flash three times to confirm that the chase step was deleted.
6. Repeat steps 4 & 5 to delete additional chase steps.

7. Press and hold down the Program button for approximately 2 seconds or until the PROG indicator in the LED display stops flashing. A flashing Blackout indicator, in the LED display, is indicative that you are out of program mode.

## Delete A Chase

1. Press and hold down the Program button for approximately 2 seconds or until the PROG indicator in the LED display flashes. Once the indicator is flashing, record mode is engaged and you may release the Program button.
2. Select the Chase # button, 1-12, that you want to delete.
3. Simultaneously, press the Auto/Del button then press the same Chase # button that you select-

ed in step 2. All LED's should flash three times to confirm that the case was deleted.

4. Repeat steps 2 & 3 to delete additional scenes.
5. Press and hold down the Program button for approximately 2 seconds or until the PROG indicator in the LED display stops flashing. A flashing Blackout indicator, in the LED display, is indicative that you are out of program mode.

## Delete All Chases

1. Flip the Operators power switch OFF which is located at the rear of the unit.
2. Simultaneously, press and hold down the Auto/Del and Bank Down buttons and flip the power switch ON. All LED's will flash three times to confirm that all chases were deleted.

# 15. CHASE PLAYBACK

---

## Manual Trigger

1. When powered ON, this console defaults to Manual/Blackout mode. All output will be in a blackout state until the Blackout button is deselected. To determine blackout status there is an indicator light in the display that flashes when engaged and OFF when disengaged. Press the Blackout button so the indicator stops flashing.
2. Press the Chase # button, 1-12, that you want to playback. The selected chase LED should illuminate.
3. Press the BANK UP & DOWN buttons, as desired, to manual step through your chase steps. You can also manually adjust the Fade Time fader if you wish to incorporate a crossfade between step.
4. Repeat steps 2 & 3 to manually playback additional chases.

## Auto Trigger

1. Press the AUTO/Del button, the Auto Trigger indicator light will illuminate in the LED display. This indicates you that you are now in the Auto trigger mode.
2. Press the Chase # button, 1-12, that you wish to playback. The selected Chase LED should illuminate and begin to play. You can select more than one chase # button at a time to create a chase sequence.
3. At any time, you can adjust the Speed and Fade fader to set your chase playback state. You can also press the Tap/Disp button twice to establish a chase rate. The rate will be determined by the tempo at which you press the Tap/Disp button.

## Audio Trigger

1. Press the Music/Rec button, the Audio Trigger indicator light will illuminate in the LED display.

This indicates you that you are now in the Audio trigger mode.

2. Press the Chase # button, 1-12, that you want to playback. The selected Chase LED should illuminate and engage. The selected chase will

trigger to sound via the internal microphone or to audio via the line level input if connected. Pressing the Music/Rec button again will disengage audio mode.

## 16. BANK COPY & FIXTURE COPY

---

### Bank Copy

1. Enter the Program mode.
2. Use the Bank UP/DOWN buttons to select the bank to be copied.
3. Tap the Midi/Rec button, and then use the Bank UP/DOWN buttons to select the bank that you want to copy to.
4. Tap the Music/Rec button. All LED's will flash three times to confirm your bank copy operation.

### Fixture Copy

1. Enter the Program mode.
2. Press the Fixture # button, 1-12, that you wish to copy.
3. Using channel faders 1-8 or joystick, set your look for the light.
4. Press and hold down the same Fixture button, then tap the Fixture # button that you want to copy the same settings to.

## 17. FADE TIME

---

1. Press and hold down the MODE button, then tap the Tap/Disp button. The LED display will display "ONLY" or "ALL", for 3 seconds, depending on the current setting. "ONLY" indicates that the Pan/Tilt channels will only be affected by the fade time fader while "ALL" indicates that all channels will be affected by the fade time fader.
2. To change this setting, tap the Tap/Disp button while pressing and holding down the Mode button. Doing so, should switch between the only and ALL options.

# 18. MIDI CHANNEL SETTING

## Set MIDI Channel

1. Press and hold down the Midi button for 2 seconds or until the LED-display displays “In:XX”. “:XX” represents the current set midi channel.
2. Use UP/DOWN BANK buttons to set your desired Midi channel from 01 to 16.
3. Press and hold down the MIDI button for 2 seconds or until all LED’s flash three times to save your setting.

## MIDI Control

This unit can receive MIDI data to trigger or activate Banks 1-30, Chases 1-12 and the Blackout function. See Midi chart below.

| MIDI Note | Function                |
|-----------|-------------------------|
| 0-11      | Turn on/off Chase 1-12  |
| 12-19     | Turn on/off Scene 1-8   |
| 20-49     | Select Bank 1-30        |
| 50        | Enable/disable Audio    |
| 51        | Enable/disable Auto     |
| 52        | Enable/disable Blackout |

By fixture 1-13, Scene 1-13, Chase 1-13 and Fade Time Slider, the Navigator 3+ can function as a simple MIDI controller. The MIDI control function are falls into 10 pages. The following diagram is the details:

| Page | Chase 1-12 | Scene 1-12   | Fixture 1-12 | Slider 1-8 | Slider 9-16 |
|------|------------|--------------|--------------|------------|-------------|
| 1    | Note 0-11  | Note 12-19   | Note 20-31   | CC 0-7     | CC 8-15     |
| 2    | Note 0-11  | Note 12-19   | Note 32-43   | CC 16-23   | CC 24-31    |
| 3    | Note 0-11  | Note 12-19   | Note 44-55   | CC 32-39   | CC 56-63    |
| 4    | Note 56-67 | Note 68-75   | Note 76-87   | CC 48-55   | CC 56-63    |
| 5    | Note 88-99 | Note 100-107 | Note 108-119 | CC 64-71   | CC 72-79    |
| 6    | Note 88-99 | Note 120-127 | Note 108-119 | CC 80-87   | CC 88-95    |
| 7    | Note 08-19 | Note 0-7     | Note 20-31   | CC 96-103  | CC 104-111  |
| 8    | Note 40-51 | Note 32-39   | Note 52-63   | CC 112-119 | CC 120-127  |
| 9    | Note 64-75 | Note 76-83   | Note 84-95   | CC 0-7     | CC 8-15     |

|    |             |              |              |        |         |
|----|-------------|--------------|--------------|--------|---------|
| 10 | Note 96-107 | Note 108-115 | Note 116-127 | CC 0-7 | CC 8-15 |
|----|-------------|--------------|--------------|--------|---------|

The Fade Time Slider controls the function of Program Change.

- Cc is short for Control change.
- You can select page by Bank UP/DOWN button.
- Hold down MIDI/Bkc and press the UP/DOWN buttons to alter the MIDI channel.

## 19. DMX ADDRESSING

---

| Fixture # | DMX Fixture Address |
|-----------|---------------------|
| 1         | 1                   |
| 2         | 33                  |
| 3         | 65                  |
| 4         | 97                  |
| 5         | 129                 |
| 6         | 161                 |
| 7         | 193                 |
| 8         | 225                 |
| 9         | 257                 |
| 10        | 289                 |
| 11        | 321                 |
| 12        | 353                 |

---

**Design and product specifications are subject to change without prior notice.**

# 1. DESCRIPCIÓN

---

## Navigator 3+

Controlador DMX para iluminación móvil  
384 canales

**Navigator 3+** es un controlador multifunción que puede ser utilizado como una consola DMX y, también, como un controlador MIDI. En su faceta DMX el equipo cuenta con un total de 384 canales, pudiendo controlar hasta 32 parámetros en las 12 luminarias que soporta. Navigator 3+ tiene 30 bancos de memoria con 8 escenas programables por banco, a la vez que cuenta con 12 chases con 240 pasos por cada uno. Un display de gran tamaño, la total integración de MIDI y la incorporación de un joystick de alta precisión para manejar los movimientos de las luminarias son algunas de las características que lo hacen uno de los controladores más completos de su segmento.

## Especificaciones

---

### Interface

- Display LCD de 7 segmentos
- 8 faders para control manual - 4 páginas
- Joystick - Control de Pan & Tilt
- Botón directo para realización de Blackout
- Botón directo para maquina de humo
- Faders para velocidad y tiempo de fade

### Características

- 384 canales DMX - 12 dispositivos de 32 canales DMX
- 12 chases programables con 240 escenas por chase
- 30 bancos de memoria
- 8 escenas por banco de memoria
- Tiempo de fade asignable
- Override manual
- Controlable via MIDI

- Micrófono incorporado

### Conectores

- 1 XLR-3 de salida DMX
- 2 conectores MIDI (entrada/salida)
- 1 conector DIN para maquina de humo
- 1 conector RCA
- 1 puerto USB
- 1 conector DB-9 para control Ext Step
- 1 Entrada de alimentación

### Eléctrico

- Rango de voltaje de entrada: 9V-12VDC, 500mA

### Físico

- Dimensiones: 483x135x82 mm. / 19x5,3x3,2 pulg.
- Peso: 2,2 kg. / 4,8 lbs.



## 2. SEGURIDAD

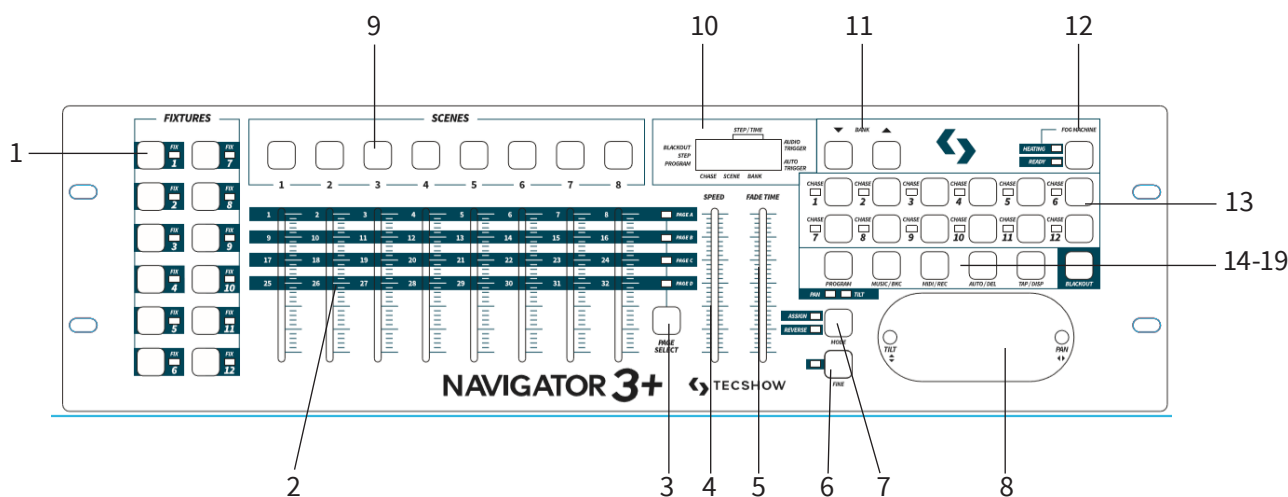
### Advertencia

- Este equipo se diseñó para uso en interiores.
- Evite el ingreso de líquidos, objetos de metal o sustancias inflamables dentro del equipo.
- Para reducir el riesgo de descargas eléctricas o incendios, no exponga la unidad a la lluvia o la humedad excesiva.
- El equipo no contiene piezas que puedan ser reparadas por el usuario. En caso de precisar asistencia, póngase en contacto con el servicio técnico autorizado.
- El equipo sólo debe ser utilizado por adultos. No permita que los niños jueguen con el equipo o lo manipulen.

### Precaución

- Abra el equipo con cuidado y verifique que todas las piezas se encuentren presentes y en buen estado. En caso de que encuentre daños, pónganse en contacto con el distribuidor.

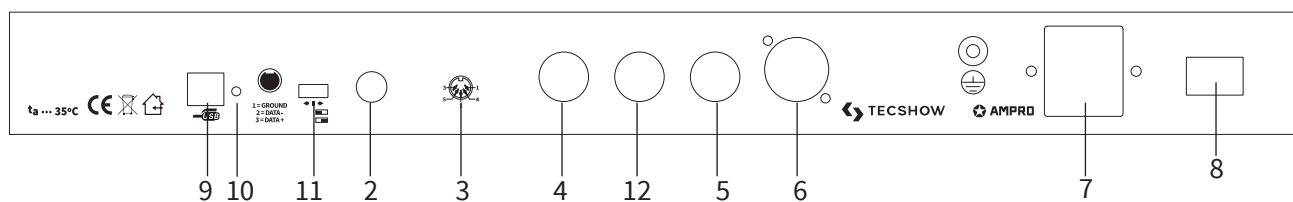
## 3. DESCRIPCIÓN DEL PANEL FRONTAL



1. Botones fixture 1-12: Selecciona los equipos que el usuario desee controlar.
2. Faders de canal 1-8: Regula la salida de cada canal de equipo.
3. Botón Channel bank: Alterna entre los canales 1-8, 9-16, 17-24 y 25-32.
4. Fader Speed (velocidad): Regula la velocidad del chase (de 0,1 segundo a 10 minutos por paso).
5. Fader Fade time: Regula el tiempo de fade del chase (de 0 a 30 segundos).

6. Botón Fine: Se utiliza junto con el joystick. Cuando el botón FINE está activado, el uso del joystick será más preciso cuando necesite enfocar un área específica con un escáner o cabezal móvil.
7. Botón MODE: Es un botón multifunción que se utiliza al asignar el joystick y la configuración de fade.
8. Joystick: Regula los canales X/Y de una luz móvil.
9. Botones Scene 1-8: Almacenan y reproducen escenas programadas. Asimismo, se utilizan para realizar copias de datos en memorias USB o a través de cables ULink.
10. Pantalla LED: Muestra información relevante de la función o acción que se encuentre activa.
11. Botones Bank arriba/abajo: Seleccionan un banco de escena o paso de chase. También se utiliza para ver los archivos de una memoria USB.
12. Botón Fog Machine (para máquina de humo): En caso de contar con una máquina de humo, conéctele al panel dorsal de la consola y actíve-la con este botón.
13. Botones Chase 1-12: Almacenan y reproducen chases.
14. Botón Program: Ingresa y abandona el modo grabación.
15. Botón Music/Bkc: Activa el modo audio para la sincronización de chases y copia un banco de escenas en otro.
16. Botón MIDI/Rec: Graba escenas y pasos de chase. Asimismo, se utiliza para configurar las funciones MIDI.
17. Botón Auto/Del: Ingresa el modo automático para las secuencia automática de banco de escenas o para eliminar una escena/chase.
18. Botón Tap/Disp: Sincroniza la reproducción de chases y modifica el modo de visualización de la pantalla.
19. Botón Blackout: Reduce los valores de todas las salidas a cero.

## 4. DESCRIPCIÓN DEL PANEL DORSAL



1. Etiqueta: Modelo, número de serie y fecha de producción del equipo.
2. Entrada de audio: Conecta la entrada de nivel de línea para activar el audio (0,1V-1Vp-p).
3. Conector DB-9: Conecta el controlador de chase externo opcional.
4. Observación: Ya no incluido en las unidades fabricadas con fecha posterior a febrero 2018.
5. Entrada MIDI: Recibe información MIDI de un secuenciador MIDI o dispositivo compatible.
6. Conector para máquina de humo: Para máquinas de humo compatibles.
7. XLR-3 hembra: Salida DMX. Conecte el primer equipo de la cadena aquí.
8. Entrada de CC: Conecte aquí la fuente de alimentación incluida. (CC 9V~15V, 500mA Min).
9. Interruptor de encendido/apagado: Enciende y apaga el equipo.
10. Puerto USB: Conectado a un controlador MIDI, envía la señal MIDI a través de un dispositivo USB.
11. Indicador LED: Muestra el estado de funcionamiento de la interfaz USB.
12. Interruptor: Alterna entre la función de con-

trolador DMX y controlador MIDI. El cambio se aplicará luego de reiniciar el equipo.

13. Salida MIDI: Conectado a un controlador MIDI, envía la señal MIDI.

## 5. CONFIGURACIÓN DEL JOYSTICK

---

### Asignar Joystick

1. Mantenga presionado el botón Program por 2 segundos o hasta que titile el indicador LED PROG. Cuando titile el indicador, se habrá activado el modo grabación y podrá soltar el botón Program.
2. Mantenga presionado el botón MODE y, sin soltarlo, presione el botón FINE. Los indicadores LED "Assign" y "Pan" se iluminarán.
3. Presione los botones Fixtures 1-12 para seleccionar los equipos a los cuales desea asignarles pan. Los indicadores LED de cada equipo se iluminarán.
4. Presione el botón Tap/Disp para alternar entre "PL.XX" y "PH.XX". "PL.XX" representa el byte bajo o canal fino, que aparece generalmente como el canal pan fino. "PH.XX" representa el byte alto o canal grueso, que aparece generalmente como el canal pan. Seleccione "PH.XX", mantenga presionado el botón MODE y luego presione el botón SCENE que se corresponda con el canal pan de su equipo. Por ejemplo, si en su equipo el canal pan es el 1, presionará el botón SCENE 1. Para obtener más información, refiérase al cuadro de dispositivos DMX. Si su equipo cuenta con un canal pan fino, presione el botón Tap/Disp. En la pantalla visualizará "PL.XX". Mantenga presionado el botón MODE y luego presione el botón SCENE que se corresponda con el canal pan fino de su equipo. Por ejemplo, si en su equipo el canal pan fino es el 2, presionará el botón SCENE 2.
5. Presione el botón BANK arriba/abajo para

- alternar entre "TL.XX" y "TH.XX". "TL.XX" representa el byte bajo o canal fino, que aparece generalmente como el canal tilt fino. "TH.XX" representa el byte alto o canal grueso, que aparece generalmente como el canal tilt. Seleccione "TH.XX", mantenga presionado el botón MODE y luego presione el botón SCENE que se corresponda con el canal tilt de su equipo. Por ejemplo, si en su equipo el canal tilt es el 3, presionará el botón SCENE 3. Para obtener más información, refiérase al cuadro de dispositivos DMX. Si su equipo cuenta con un canal tilt fino, presione el botón Tap/Disp. En la pantalla visualizará "TL.XX". Mantenga presionado el botón MODE y luego presione el botón SCENE que se corresponda con el canal tilt fino de su equipo. Por ejemplo, si en su equipo el canal tilt fino es el 4, presionará el botón SCENE 4.
6. Mantenga presionado el botón Program por 2 segundos o hasta que deje de titilar el indicador LED PROG. Cuando titile el indicador LED Black-out, el controlador habrá abandonado el modo programación.

### ASIGNAR JOYSTICK INVERSO (Pan/tilt hacia atrás)

1. Mantenga presionado el botón Program por 2 segundos o hasta que titile el indicador LED PROG. Cuando titile el indicador, se habrá activado el modo grabación y podrá soltar el botón Program.
2. Mantenga presionado el botón MODE y, sin soltarlo, presione el botón FINE. Los indica-

- dores LED “Assign” y “Pan” se iluminarán.
3. Nuevamente mantenga presionado el botón MODE y, sin soltarlo, presione el botón FINE. El indicador LED “Reverse” se iluminará.
  4. Presione los botones Fixtures 1-12 para seleccionar los equipos a los cuales desea asignarles el pan y tilt hacia atrás. Los indicadores LED de cada equipo se iluminarán. Se recomienda asignar equipos opuestos. Por ejemplo, asigne los canales 1, 3, 5, 7 de forma normal, como se indica en el apartado anterior y asigne los canales 2, 4, 6, 8 de forma inversa. Así, al mover el joystick, los equipos se moverán de forma opuesta el uno del otro. A esta función se la conoce normalmente como “Pan/tilt hacia atrás”.
  5. Presione el botón Tap/Disp para alternar entre “PL.XX” y “PH.XX”. “PL.XX” representa el byte bajo o canal fino, que aparece generalmente como el canal pan fino. “PH.XX” representa el byte alto o canal grueso, que aparece generalmente como el canal pan. Seleccione “PH.XX”, mantenga presionado el botón MODE y luego presione el botón SCENE que se corresponda con el canal pan de su equipo. Por ejemplo, si en su equipo el canal pan es el 1, presionará el botón SCENE 1. Para obtener más información, refiérase al cuadro de dispositivos DMX. Si su equipo cuenta con un canal pan fino, presione el botón Tap/Disp. En la pantalla visualizará “PL.XX”. Mantenga presionado el botón MODE y luego presione el botón SCENE que se corresponda con el canal pan fino de su equipo. Por ejemplo, si en su equipo el canal pan fino es el 2, presionará el botón SCENE 2.
  6. Presione el botón BANK arriba/abajo para alternar entre “TL.XX” y “TH.XX”. “TL.XX” representa el byte bajo o canal fino, que aparece generalmente como el canal tilt fino. “TH.XX” representa el byte alto o canal grueso, que aparece generalmente como el canal tilt. Seleccione “TH.XX”, mantenga presionado el botón MODE y luego presione el botón SCENE que se corresponda con el canal tilt de su equipo. Por ejemplo, si en su equipo el canal tilt es el 3,

presionará el botón SCENE 3. Para obtener más información, refiérase al cuadro de dispositivos DMX. Si su equipo cuenta con un canal tilt fino, presione el botón Tap/Disp. En la pantalla visualizará “TL.XX”. Mantenga presionado el botón MODE y luego presione el botón SCENE que se corresponda con el canal tilt fino de su equipo. Por ejemplo, si en su equipo el canal tilt fino es el 4, presionará el botón SCENE 4.

7. Mantenga presionado el botón Program por 2 segundos o hasta que deje de titilar el indicador LED PROG. Cuando titile el indicador LED Black-out, el controlador habrá abandonado el modo programación.

## **Eliminar La Asignación Pan/Tilt del Joystick**

1. Mantenga presionado el botón Program por 2 segundos o hasta que titile el indicador LED PROG. Cuando titile el indicador, soltar el botón Program.
2. Mantenga presionado el botón MODE y, sin soltarlo, presione el botón FINE. Los indicadores LED “Assign” y “Pan” se iluminarán.
3. Presione los botones Fixture 1-12 que se correspondan con los equipos a los cuales desea eliminarles la asignación de pan/tilt. Los LEDs relevantes se iluminarán.
4. Mantenga presionado el botón MODE y, sin soltarlo, presione el botón Auto/DEL para eliminar la configuración de los equipos seleccionados. Todos los LEDs titilarán para confirmar que se ha eliminado la asignación.
5. Mantenga presionado el botón Program por 2 segundos o hasta que deje de titilar el indicador LED PROG. Cuando titile el indicador LED Black-out, el controlador habrá abandonado el modo programación.

## **Eliminar La Asignación De Pan/Tilt De Todos Los Equipos**

1. Apague el equipo desde el interruptor de alimentación. El interruptor se encuentra en el panel dorsal de la unidad.

2. Luego, mantenga presionados los botones Auto/DEL y MODE al mismo tiempo y encienda el equipo. Todos los LEDs titilarán tres veces

para confirmar que se ha eliminado la asignación de todos los equipos.

## 6. CONTROL MANUAL

---

La consola se enciende en el modo Manual/Blackout de forma predeterminada. Todas las salidas estarán en valor cero (blackout) hasta que deseleccione el botón Blackout. El equipo cuenta con un indicador LED en la pantalla que señala el estado blackout: titila cuando está activado y se apaga cuando está desactivado. Para pasar al control manual, desactive el modo blackout y seleccione los equipos que desea controlar a través de los

botones fixture que se encuentran a la izquierda. Luego use los ocho faders de canal, joystick y el botón Channel bank para controlar los equipos de forma manual.

Observación: En la mayoría de los casos, para que funcione el joystick, primero debe asignarlo. Refiérase al apartado “Asignar joystick” para obtener más información.

## 7. GRABAR ESCENAS

---

1. Presione los botones Fixture 1-12 para seleccionar los equipos que desea incluir en una escena. Los indicadores LED correspondientes se iluminarán.
2. Mantenga presionado el botón Program por 2 segundos o hasta que titile el indicador LED PROG. Cuando titile el indicador, se habrá activado el modo grabación y podrá soltar el botón Program.
3. Configure la escena con los ocho faders de canal, el joystick o el botón Channel bank de ser necesario. Presione el botón Channel bank para alternar entre los bancos de canales 1-8, 9-16, 17-24 y 25-32.
4. Cuando esté conforme con el diseño de la escena, presione el botón MIDI/REC para grabarla.
5. Utilice el botón Bank arriba/abajo para seleccionar un banco de escenas donde almacenarla. Hay 30 bancos de escenas disponibles que el usuario puede ver en la pantalla, consultando los últimos dos dígitos de la derecha.
6. Presione un botón Scene 1-8. Todos los LEDs titilarán para indicar que se ha almacenado la escena correctamente. Hay ocho botones de escenas para almacenar cada banco. Asegúrese de seleccionar un botón de escena diferente cada vez que almacene una para no grabar sobre una escena que desea conservar.
7. Reitere los pasos 2-6 para grabar más escenas.
8. Una vez almacenadas todas las escenas, mantenga presionado el botón Program por 2 segundos para salir. Cuando titile el indicador LED Blackout, el controlador habrá abandonado el modo programación.

## 8. EDITAR ESCENAS

---

1. Mantenga presionado el botón Program por 2 segundos o hasta que titile el indicador LED PROG. Cuando titile el indicador, Se habrá activado el modo grabación y podrá soltar el botón Program.
2. Utilice los botones Bank arriba/abajo para seleccionar el banco que contenga la escena que desea editar. Podrá ver el banco activo en la pantalla LED.
3. Presione el botón Scene 1-8 que desea editar para que aparezca la escena.
4. Presione el botón fixture 1-12 para seleccionar el equipo o equipos con la escena que desea modificar. Los indicadores LEDs correspondientes se iluminarán.
5. Realice las modificaciones con los faders o el joystick.
6. Presione el botón Midi/Rec y luego el botón de la escena que está editando. Todos los LEDs titilarán tres veces para confirmar que las modificaciones se han guardado correctamente.
7. Mantenga presionado el botón Program por 2 segundos para salir. Cuando titile el indicador LED Blackout, el controlador habrá abandonado el modo programación.

## 9. COPIAR UNA ESCENA

---

1. Mantenga presionado el botón Program por 2 segundos o hasta que titile el indicador LED PROG. Cuando titile el indicador, Se habrá activado el modo grabación y podrá soltar el botón Program.
2. Utilice el botón Bank arriba/abajo para seleccionar el banco que contenga la escena que desea copiar.
3. Presione el botón Scene 1-8 para seleccionar la escena que desea copiar.
4. Utilice los botones Bank arriba/abajo para cambiar el banco de escenas (en caso de ser necesario).
5. Presione el botón Midi/Rec seguido del botón Scene 1-8 al cual desea copiar la escena. Todos los LEDs titilarán tres veces para confirmar el copiado.
6. Mantenga presionado el botón Program por 2 segundos o hasta que deje de titilar el indicador LED PROG. Cuando titile el indicador LED Blackout, el controlador habrá abandonado del modo programación.

## 10. ELIMINAR UNA ESCENA

---

1. Mantenga presionado el botón Program por 2 segundos o hasta que deje de titilar el indicador LED PROG. Cuando titile el indicador LED Blackout, se habrá activado el modo grabación y podrá soltar el botón Program.
2. Utilice los botones Bank arriba/abajo para seleccionar el banco que contenga la escena que desea eliminar.
3. Al mismo tiempo, presione el botón Auto/Del seguido del botón Scene 1-8 que desea eliminar. Todos los LEDs titilarán tres veces para confirmar que se ha eliminado la escena correctamente.
4. Reitere los pasos 2-3 para eliminar más escenas.
5. Mantenga presionado el botón Program por 2 segundos o hasta que deje de titilar el indicador LED PROG. Cuando titile el indicador LED Blackout, el controlador habrá abandonado el modo programación.

## 11. ELIMINAR TODAS LAS ESCENAS

---

1. Apague el equipo desde el interruptor de alimentación que se encuentra en el panel dorsal de la unidad.
2. Luego, mantenga presionados los botones Program y Bank abajo al mismo tiempo y encienda el equipo. Todos los LEDs titilarán tres veces para confirmar que se han eliminado todas las escenas.

## 12. REPRODUCIR UNA ESCENA

---

### Ejecución Manual

1. La consola se enciende en el modo Manual/Blackout de forma predeterminada. Todas las salidas estarán en valor cero (blackout) hasta que deseccione el botón Blackout. El equipo cuenta con un indicador LED en la pantalla que señala el estado blackout: titila cuando está activado y se apaga cuando está desactivado. Presione el botón Blackout para que el indicador LED deje de titilar.
2. Utilice los botones Bank arriba/abajo para seleccionar el banco que contenga la escena que desea reproducir.
3. Presione el botón Scene 1-8 para seleccionar la escena que desea reproducir. Se activará la esce-

na seleccionada. Presione el mismo botón Scene nuevamente para deshabilitar la escena o el botón Blackout para cancelar todas las salidas.

4. Reitere los pasos 2-3 para reproducir más escenas.

## Ejecución Automática

1. Presione el botón AUTO/Del. El indicador Auto se iluminará en la pantalla para indicar que se encuentra en el modo de ejecución automática.
2. Utilice los botones Bank arriba/abajo para seleccionar un banco 1-30 para la reproducción automática. Las ocho escenas del banco seleccionado se reproducirán en secuencia.
3. En cualquier momento, el usuario puede regular la velocidad y el fade para regular el estado de reproducción de la secuencia de su escena. Asimismo, puede presionar el botón Tap/Disp

dos veces para establecer un ritmo de secuencia. El ritmo se determinará por el tempo en el cual presione el botón Tap/Disp. Para desactivar la reproducción automática, presione el botón Auto/Del nuevamente.

## Ejecución De Audio

1. Presione el botón AUTO/Rec. El indicador Auto se iluminará en la pantalla para indicar que se encuentra en el modo de ejecución de audio.
2. Utilice los botones Bank arriba/abajo para seleccionar un banco 1-30 o un botón de chase 1-12. El banco o chase seleccionado se activará por audio a través del micrófono interno o de la entrada de nivel de línea (si está conectada). Para desactivar la ejecución de audio, presione el botón Music/Rec. nuevamente.

# 13. GRABAR CHASES

---

Navigator 3+ cuenta con 12 chases programables. Cada chase puede almacenar hasta 240 escenas/pasos. Lea las siguientes instrucciones para configurar chases.

1. Mantenga presionado el botón Program por 2 segundos o hasta que titile el indicador LED PROG. Cuando titile el indicador, se habrá activado el modo grabación y podrá soltar el botón Program.
2. Presione el botón chase 1-12 donde desea grabar. El indicador LED correspondiente se iluminará.
3. Utilice los botones Bank arriba/abajo para seleccionar el banco de escenas 1-30 que contenga la escena que desea agregar a su chase. Podrá ver los bancos de escenas en la pantalla, consultando los últimos dos dígitos de la derecha. Asimismo, puede configurar su escena

con los ocho faders de canal, el joystick o el botón Channel bank de ser necesario. Presione el botón Channel bank para alternar entre los bancos de canales 1-8, 9-16, 17-24 y 25-32.

4. Presione el botón Midi/Rec para grabar el paso del chase. Todos los LEDs titilarán para indicar que el paso se grabó correctamente.
5. Reitere los pasos 3-4 para grabar más pasos.
6. Una vez grabados todos los pasos, mantenga presionado el botón Program por 2 segundos para salir. Cuando titile el indicador LED Blackout, el controlador habrá abandonado el modo programación

## Grabar Un Banco De Escenas En Un Chase

1. Mantenga presionado el botón Program por 2 segundos o hasta que titile el indicador LED



- PROG. Cuando titile el indicador, se habrá activado el modo grabación y podrá soltar el botón Program.
- Presione el botón chase 1-12 donde desea grabar. El indicador LED correspondiente se iluminará.
  - Utilice los botones Bank arriba/abajo para seleccionar el banco de escenas 1-30 que desea agregar a su chase. El usuario puede ver los bancos de escenas en la pantalla, consultando los últimos dos dígitos de la derecha.
  - Al mismo tiempo, presione los botones Music/Bkc y Midi/Rec para grabar el banco de escenas

- completo. Todos los LEDs titilarán tres veces para confirmar que el banco de escena se grabó correctamente. Las escenas se grabarán en la misma secuencia en la que estaban almacenadas en el banco.
- Reitere los pasos 3-4 para grabar más bancos de escenas.
  - Una vez grabados todos los pasos, mantenga presionado el botón Program por 2 segundos para salir. Cuando titile el indicador LED Black-out, el controlador habrá abandonado el modo programación.

## 14. EDITAR CHASES

---

### Añadir Un Paso Al Chase

- Mantenga presionado el botón Program por 2 segundos o hasta que titile el indicador LED PROG. Cuando titile el indicador, se habrá activado el modo grabación y podrá soltar el botón Program.
- Presione el botón Chase 1-12 donde desea agregar un paso. El indicador LED correspondiente se iluminará.
- Presione el botón Tap/Disp. El indicador Step se iluminará en la pantalla.
- Presione los botones Bank arriba/abajo para recorrer manualmente los pasos del chase. Ubíquese en el paso anterior al que desea añadir.
- Presione el botón Tap/Disp para desactivar el modo paso. El indicador LED Step se apagará en la pantalla.
- Utilice los botones Bank arriba/abajo para seleccionar el banco de escenas 1-30 que contiene la escena que desea añadir. El usuario puede ver los bancos de escenas en la pantalla, consultando los últimos dos dígitos de la derecha.

- Presione el botón Midi/Rec para grabar el paso en su chase. Todos los LEDs titilarán tres veces para confirmar que se ha añadido el paso correctamente.
- Reitere los pasos 3-7 para añadir más pasos.
- Mantenga presionado el botón Program por 2 segundos para salir. Cuando titile el indicador LED Blackout, el controlador habrá abandonado el modo programación.

### Eliminar Pasos De Un Chase

- Mantenga presionado el botón Program por 2 segundos o hasta que titile el indicador LED PROG. Cuando titile el indicador, se habrá activado el modo grabación y podrá soltar el botón Program.
- Presione el botón Chase 1-12 del cual desea eliminar un paso. El indicador LED correspondiente se iluminará.
- Presione el botón Tap/Disp. El indicador Step se iluminará en la pantalla.
- Presione los botones Bank arriba/abajo para recorrer manualmente los pasos del chase.

- Ubíquese en el paso que desea eliminar.
5. Presione el botón Auto/Del para eliminar el paso. Todos los LEDs titilarán tres veces para indicar que se ha eliminado el paso del chase correctamente.
  6. Reitere los pasos 4-5 para eliminar más pasos de un chase.
  7. Mantenga presionado el botón Program por 2 segundos o hasta que deje de titilar el indicador LED PROG. Cuando titile el indicador LED Black-out, el controlador habrá abandonado el modo programación.

### Eliminar Un Chase

1. Mantenga presionado el botón Program por 2 segundos o hasta que titile el indicador LED PROG. Cuando titile el indicador, se habrá activado el modo grabación y podrá soltar el botón Program.
2. Presione el botón Chase 1-12 que desea eliminar.
3. Al mismo tiempo, presione el botón Auto/Del

seguido del botón Chase que seleccionó en el paso 2. Todos los LEDs titilarán tres veces para confirmar que se ha eliminado el chase correctamente.

4. Reitere los pasos 2-3 para eliminar más escenas.
5. Mantenga presionado el botón Program por 2 segundos o hasta que deje de titilar el indicador LED PROG. Cuando titile el indicador LED Black-out, el controlador habrá abandonado el modo programación.

### Eliminar Todos Los Chases

1. Apague el equipo desde el interruptor de alimentación que se encuentra en el panel dorsal de la unidad.
2. Luego, mantenga presionados los botones Auto/Del y Bank abajo al mismo tiempo y encienda el equipo. Todos los LEDs titilarán tres veces para confirmar que se han eliminado todas los chases.

## 15. REPRODUCIR UN CHASE

---

### Ejecución Manual

1. La consola se enciende en el modo Manual/Blackout de forma predeterminada. Todas las salidas estarán en valor cero (blackout) hasta que deseccione el botón Blackout. El equipo cuenta con un indicador LED en la pantalla que señala el estado blackout: titila cuando está activado y se apaga cuando está desactivado. Presione el botón Blackout para que el indicador LED deje de titilar.
2. Presione el botón Chase 1-12 que desea reproducir. El indicador LED correspondiente se iluminará.
3. Presione los botones banco arriba/abajo para recorrer manualmente los pasos del chase. Asi-

mismo, puede regular manualmente el tiempo de fade si desea añadir un crossfade entre pasos.

4. Reitere los pasos 2-3 para reproducir más chases.

### Ejecución Automática

1. Presione el botón AUTO/Del. El indicador Auto se iluminará en la pantalla para indicar que se encuentra en el modo de ejecución automática.
2. Presione el botón Chase 1-12 que desea reproducir. El indicador LED correspondiente se iluminará y comenzará a reproducirse. El usuario puede seleccionar más de un botón Chase a la vez para crear una secuencia.
3. En cualquier momento, el usuario puede regular la velocidad y el fade para regular el

estado de reproducción del chase. Asimismo, puede presionar el botón Tap/Disp dos veces para establecer un ritmo de chase. El ritmo se determinará por el tempo al cual presione el botón Tap/Disp.

## Ejecución De Audio

1. Presione el botón AUTO/Rec. El indicador Auto se iluminará en la pantalla para indicar que se encuentra en el modo de ejecución de audio.

2. Presione el botón Chase 1-12 que desea reproducir. El indicador LED correspondiente se iluminará y activará. El chase seleccionado se activará por audio a través del micrófono interno o de la entrada de nivel de línea (si está conectada). Para desactivar la ejecución de audio, presione el botón Music/Rec. nuevamente.

# 16. COPIAR UN BANCO - COPIAR UN EQUIPO

---

## Copiar Un Banco

1. Acceda al modo programación.
2. Utilice los botones Bank arriba/abajo para seleccionar el banco que desea copiar.
3. Presione el botón Midi/Rec y luego utilice los botones Bank arriba/abajo para seleccionar el banco destino en el que hacer la copia.
4. Presione el botón Music/Bkc. Todos los LEDs titilarán tres veces para confirmar que se ha copiado el banco correctamente.

## Copiar Un Equipo

1. Acceda al modo programación.
2. Presione el botón Fixture 1-12 que desea copiar.
3. Utilice los faders de canal 1-8 o el joystick para configurar el diseño de la luz.
4. Mantenga presionado el mismo botón Fixture y luego presione el botón Fixture del equipo en el que desea copiar la misma configuración.

# 17. TIEMPO DE FADE

---

1. Mantenga presionado el botón MODE y, sin soltarlo, presione el botón Tap/Disp. En la pantalla, visualizará “ONLY” o “ALL” por 3 segundos según la configuración actual. “ONLY” indica que solo los canales de pan y tilt se verán alcanzados por el tiempo de fade, mientras que “ALL” indica que todos los canales se verán alcanzados por el tiempo de fade.
2. Para modificar esta configuración, mientras

mantiene presionado el botón MODE, presione el botón Tap/Disp. De esta forma podrá alternar entre el modo “ONLY” y “ALL”.

## 18. CONFIGURAR EL CANAL MIDI

### Configuración Del Canal MIDI

1. Mantenga presionado el botón Program por 2 segundos o hasta que en la pantalla visualice “In:XX”. “:XX” representa el canal Midi actualmente configurado.
2. Utilice los botones Bank arriba/abajo para configurar el canal MIDI deseado de 01 a 16.
3. Mantenga presionado el botón Midi por 2 segundos o hasta que todos los LEDs titilen tres veces para guardar su configuración.

### Funciones MIDI

Navigator 3+ puede recibir datos MIDI para activar o ejecutar los bancos 1-30, chases 1-12 y la función blackout. Para más información, vea el cuadro a continuación:

| Notas MIDI | Función                      |
|------------|------------------------------|
| 0-11       | Encender/apagar chase 1-12   |
| 12-19      | Encender/apagar escena 1-8   |
| 20-49      | Seleccionar banco 1-30       |
| 50         | Activar/desactivar audio     |
| 51         | Activar/desactivar modo auto |
| 52         | Activar/desactivar blackout  |

Por equipo 1-13, por escena 1-13, por chase 1-13 y por deslizador de fade, Navigator 3+, puede funcionar como un controlador MIDI simple. Las funciones de control MIDI se dividen en diez páginas. Para más detalles, refiérase al diagrama a continuación:

| Página | Chase 1-12 | Escena 1-12  | Equipo 1-12  | Deslizador 1-8 | Deslizador 9-16 |
|--------|------------|--------------|--------------|----------------|-----------------|
| 1      | Nota 0-11  | Nota 12-19   | Nota 20-31   | CC 0-7         | CC 8-15         |
| 2      | Nota 0-11  | Nota 12-19   | Nota 32-43   | CC 16-23       | CC 24-31        |
| 3      | Nota 0-11  | Nota 12-19   | Nota 44-55   | CC 32-39       | CC 56-63        |
| 4      | Nota 56-67 | Nota 68-75   | Nota 76-87   | CC 48-55       | CC 56-63        |
| 5      | Nota 88-99 | Nota 100-107 | Nota 108-119 | CC 64-71       | CC 72-79        |
| 6      | Nota 88-99 | Nota 120-127 | Nota 108-119 | CC 80-87       | CC 88-95        |
| 7      | Nota 08-19 | Nota 0-7     | Nota 20-31   | CC 96-103      | CC 104-111      |

|    |             |              |              |            |            |
|----|-------------|--------------|--------------|------------|------------|
| 8  | Nota 40-51  | Nota 32-39   | Nota 52-63   | CC 112-119 | CC 120-127 |
| 9  | Nota 64-75  | Nota 76-83   | Nota 84-95   | CC 0-7     | CC 8-15    |
| 10 | Nota 96-107 | Nota 108-115 | Nota 116-127 | CC 0-7     | CC 8-15    |

El deslizador de tiempo de fade controla la función de cambio de programa.

- CC significa “cambio de control”.
- Utilice el botón Bank arriba/abajo para seleccionar la página deseada.
- Mantenga presionado el botón “MIDI/Bkc” y, al mismo tiempo, presione los botones arriba/abajo para modificar el canal MIDI.

## 19. DIRECCIÓN DMX

---

| Equipo | Dirección DMX |
|--------|---------------|
| 1      | 1             |
| 2      | 33            |
| 3      | 65            |
| 4      | 97            |
| 5      | 129           |
| 6      | 161           |
| 7      | 193           |
| 8      | 225           |
| 9      | 257           |
| 10     | 289           |
| 11     | 321           |
| 12     | 353           |

**Observación: El proveedor no asumirá responsabilidad por los errores u omisiones del manual. La información de este manual está sujeta a cambios sin previo aviso.**